

Model EPT3000-SL series

Single flange mounted differential pressure level transmitter
Monocrystalline silicon sensor
Mass production, automated calibration

Materontek
Sensing and Internet of Things

Features

- ❑ Overload pressure up to 25MPa
- ❑ Excellent overvoltage performance
- ❑ Excellent operability & convenient use
- ❑ Five-digit LCD with backlight
- ❑ View of units (Pa, kPa, MPa, bar, mbar,%, psi, mmH₂O)
- ❑ Quickly adjusted through built-in three buttons



Application

- ❑ Be suitable to measure liquid, gas or steam flow as well
- ❑ Process control systems
- ❑ Chemical industry
- ❑ Energy industry
- ❑ Machine building

Technical data

Performance

Accuracy*	0.25%FS@25°C(Typ.)	*Linearity (best straight line) + Hysteresis + Repeatability
Ambience Temperature	-20 to 70°C	
Storage temperature	-40 to 90°C	
Temp. coeff - Zero	±(0.08%range+0.055% upper limit of range)	
Temp. coeff - Span	±(0.08%range+0.055% upper limit of range)	
Vibration	20 g RMS(20 to 2000Hz)	
Shock	100 g(10ms)	
Cycles	10x10 ⁵	
Effect of overpressure	±(0.065 %upper limit of range)/5MPa	
Long Term Stability	±0.05 %upper limit of range/year	

Electrical @25°C

Output signal / Supply	2-wire 4...20mA+HART / V _S = 10.5... 45VDC	*Intrinsic safety explosion-proof DC10.5~26V
Load resistance	250~600 DC 24V,include cable resistance	
Insulation Resistance	100 MΩ@100VDC	
Load capacity	0.55mF	
Load inductance	3.3mH	
Spacing above power line	15cm(please avoid parallel wiring)	
Saturation current	Upper limit 20.8mA, lower limit 3.8mA	
Adjustment function	The zero & full span point can be adjusted in situ through three-button from the top of the housing or be adjusted remotely through configuration software.	
EMC Test	IEC61000-6-2/IEC61000-6-3	
Effect of Power supply	±0.005 %/1V	
Damp	The time constant can be adjusted from 0 to 99.9 seconds	
Reverse polarity protection	No damage - no function	

Physical Specifications

Housing	Low copper aluminum die casting + polyurethane coating
Diaphragm	SUS316LSS,Hastelloy C-276,Tantalum
Sealing	NBR or Viton O-ring
Oil Filling	Silicone oil
Protection	IP67
Weight	~4.2kg(without flange)

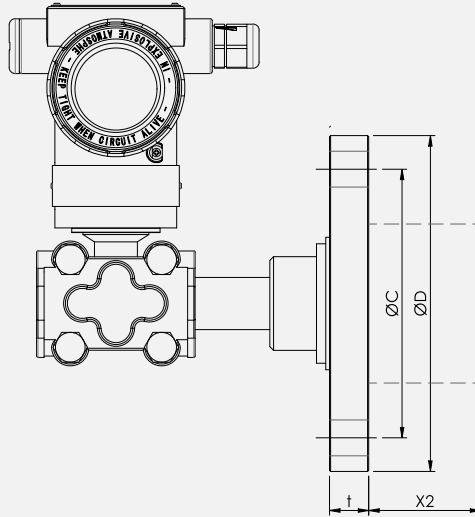
The listed specifications and dimensions are subject to change without prior notice

Model EPT3000-SL series

Single flange mounted differential pressure level transmitter
Monocrystalline silicon sensor
Mass production, automated calibration

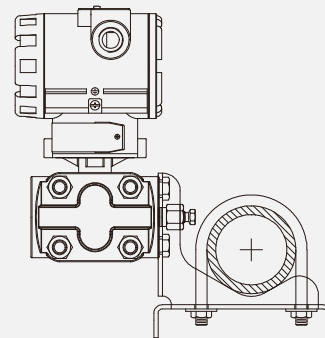
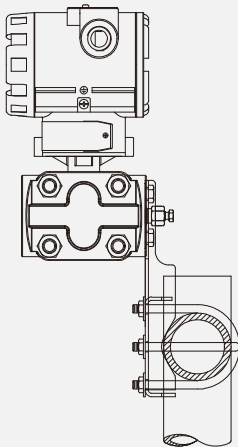
Materontek
Sensing and Internet of Things

Dimensions (All dimensions in mm)



Code B1/Flat bracket

Code B2/Right angle bracket



Standard pressure range & URL

Code	Nominal pressure [bar]	Overpressure [bar]	Static pressure [bar]
S1	0...0.1	100	250
S2	0...0.6	100	250
S3	0...1	160	250
S4	0...5	250	250
S5	0...10	250	250

Model EPT3000-SL series

Single flange mounted differential pressure level transmitter
Monocrystalline silicon sensor
Mass production, automated calibration

Materontek
Sensing and Internet of Things

Ordering code

Model	EPT3000-SL	
Code	Pressure range	
S1	0.1 bar	
S2	0.6 bar	
S3	1 bar	
S4	5 bar	
99	Customized range	
Code	Pressure Type	
D	Differential	
G	Gauge	
A	Absolute	
Code	Output signal	
A	4...20mA+HART Protocol	
Code	Accuracy	
01	0.25%FS	
02	0.5%FS	
Code	Membrane materials	
22	316LSS	
23	Hastelloy-C	
24	Tantalum	
25	316LSS gold plating	
Code	Filled liquid	
S	Silicone oil	Wetted temperature: -10~+250°C
L	Silicone oil	Wetted temperature: -30~+180°C
H	Silicone oil	Wetted temperature: 10~+300°C
Code	Flange size	
0	2 inch-150Lb	
1	3 inch-150Lb	
2	4 inch-150Lb	
3	2 inch-300Lb	
4	3 inch-300Lb	
5	4 inch-300Lb	
6	DN50 PN10-PN40	
7	DN80 PN10	
8	DN100 PN10	
9	2" Tri-Clamp	
X	Customized	
	For pressure=0.3~10bar	
Code	Flange materials	
A	SUS304	
B	SUS316	
Code	Extension length (X2)	
L1	0 mm	
L2	50 mm	
L3	100 mm	
L4	150 mm	
Code	Capillary length	
□□	Specified capillary length from 0 ~ 15m, represented by □□□□ (ex:2m=02)	
Code	Mounting kit	
B0	No	
B1	L type mounting kit	
Code	Process connection	
D42	1/2-18NPT Female	
D43	1/2-14NPT Female	
D44	Customized	
Code	Electrical connection	
E1	M20x1.5	
E2	1/2"NPT	
Code	Meters	
M1	LCD display	
Code	Sealing materials	
01	Fluororubber	
02	NBR	
Code	Mounting bracket	
B1	Flat bracket	
B2	Right angle bracket	
Code	Explosion-proof	
N	No	
IA	Intrinsic safety and dust explosion-proof approval	
D	Flame-proof and dust explosion-proof approval	
Code	Label	
S	Standard	
N	Neutral packing	
C	Custom label	