



Model H-100

# 面積式流量計

## VARIABLE AREA TYPE FLOW METER

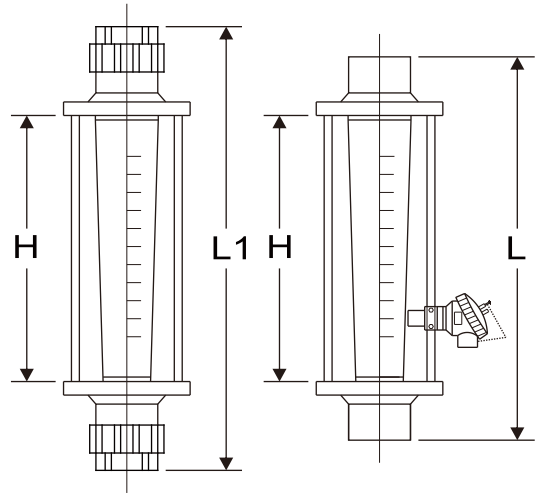
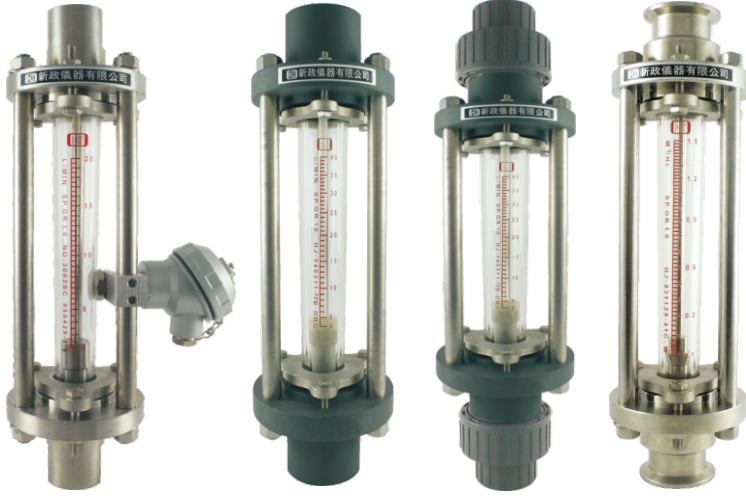
### Model H-100

REED SWITCH

牙口

由令插管

衛生夾接



### DIMENSIONS

| Model     | 10  | 15  | 18  | 20  | 25  | 32    | 40    | 50  | 65    | 80  | 100 |
|-----------|-----|-----|-----|-----|-----|-------|-------|-----|-------|-----|-----|
| <b>L</b>  | 260 | 260 | 260 | 340 | 340 | 340   | 340   | 340 | 340   | 410 | 430 |
| <b>H</b>  | 150 | 150 | 150 | 200 | 200 | 200   | 200   | 200 | 200   | 250 | 250 |
| <b>L1</b> |     |     |     |     |     |       |       |     |       |     |     |
| <b>F</b>  | 1/4 | 1/2 | 1/2 | 3/4 | 1   | 1 1/4 | 1 1/2 | 2   | 2 1/2 | 3   | 4   |

### SPECIFICATIONS

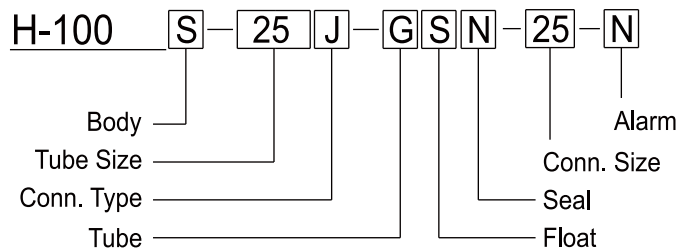
| Model             | FS                     | FW | FX   | FV                    | FP           | FC    | FD     | GLASS   | PC |
|-------------------|------------------------|----|------|-----------------------|--------------|-------|--------|---------|----|
| <b>Max. Temp</b>  | 100°C                  |    | 60°C | 70°C                  | 90°C         | 120°C | 100°C  |         |    |
| <b>Max. Press</b> | 10kg/cm <sup>2</sup> G |    |      | 6kg/cm <sup>2</sup> G |              |       | 4-6 kg | 6-12 kg |    |
| <b>Accuracy</b>   | WATER ± 3% F.S         |    |      |                       | AIR ± 4% F.S |       |        |         |    |

### ORDERING INFORMATION

| Body Material | Connection Type | Tube Material | Float Material | Seal Material |
|---------------|-----------------|---------------|----------------|---------------|
| S SS304       | A FPT           | G GLASS       | S SS304        | N NEOPRENE    |
| W SS316       | B FNPT          | P PC          | W SS316        | V VITON       |
| V P.V.C       | C 美規由令          |               | V P.V.C        | T TEFLON      |
| P P.P         | D 南亞由令          |               | P P.P          |               |
| D P.V.D.F     | E 美規插管          |               | D P.V.D.F      |               |
| X SS316L      | F 南亞插管          |               | X SS316L       |               |
| C C.P.V.C     | G 衛生夾接          |               | C C.P.V.C      |               |

| Connection Size |      |    |        | Alarm Switch |         |
|-----------------|------|----|--------|--------------|---------|
| 10              | 3/8" | 32 | 1 1/4" | 80 3"        | N NONE  |
| 15              | 1/2" | 40 | 1 1/2" | 100 4"       | H HI    |
| 20              | 3/4" | 50 | 2"     | 125 5"       | L LO    |
| 25              | 1"   | 65 | 2 1/2" |              | A HI LO |

| Tube Size | Normal Flow Range |          |            |            |
|-----------|-------------------|----------|------------|------------|
|           | WATER             | L/MIN    | AIR        | NL/MIN     |
| 10        | 0.03-0.3          | 0.08-0.8 | 0.5-5.0    | 1-15       |
|           | 0.05-0.5          | 0.1-1.0  | 1-10       | 2-20       |
| 15        | 0.1-1.0           | 0.3-3.0  | 3-30       | 6-60       |
|           | 0.2-2.0           | 0.4-4.0  | 5-50       | 8-80       |
| 18        | 0.5-5.0           | 1-10     | 10-100     | 20-200     |
|           | 0.6-6.0           | 1-15     | 15-150     | 25-250     |
| 20        | 1-10              | 2-20     | 20-200     | 30-300     |
|           | 1-15              | 3-30     | 25-250     | 50-500     |
| 25        | 3-30              | 5-50     | 50-500     | 100-1000   |
|           | 4-40              | 8-80     | 80-800     | 150-1500   |
| 32        | 5-50              | 10-100   | 150-1500   | 250-2500   |
|           | 8-80              | 12-120   | 200-2000   | 300-3000   |
| 40        | 15-150            | 25-250   | 250-2500   | 350-3500   |
|           | 20-200            | 30-300   | 300-3000   | 400-4000   |
| 50        | 30-300            | 50-500   | 350-3500   | 450-4500   |
|           | 40-400            | 60-600   | 400-4000   | 500-5000   |
| 65        | 40-400            | 60-600   | 450-4500   | 600-6000   |
|           | 50-500            | 80-800   | 500-5000   | 700-7000   |
| 80        | 60-600            | 100-1000 | 700-7000   | 900-9000   |
|           | 80-800            | 120-1200 | 800-8000   | 1000-10000 |
| 100       | 100-1000          | 160-1600 | 900-9000   | 1200-12000 |
|           | 120-1200          | 200-2000 | 1000-10000 | 1500-15000 |



NOTE: 各尺寸流量，均可以依客戶需求訂製