



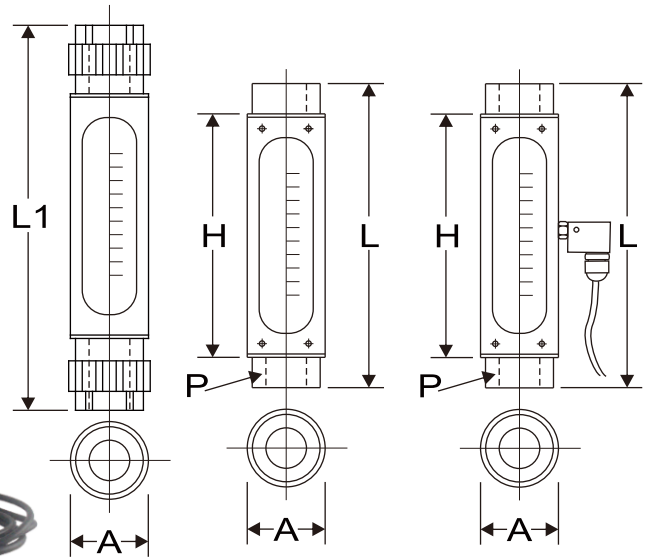
Model H-600P

面積式流量計

VARIABLE AREA TYPE FLOW METER

Model H-600P

牙口 由令插管 壓克力保護管 REED SWITCH



DIMENSIONS

| MODEL | 10 | 15 | 18 | 20 | 25 | 32 | 40 | 50 |
|-----------------|-----|-----|-----|-----|-----|-------|-------|-----|
| L | 200 | 230 | 230 | 280 | 284 | 300 | 310 | 310 |
| L1 | | | | | | | | |
| H | 165 | 190 | 190 | 240 | 240 | 240 | 240 | 240 |
| A \varnothing | 34 | 42 | 42 | 48 | 60 | 76 | 90 | 100 |
| P | 1/4 | 1/2 | 1/2 | 3/4 | 1 | 1 1/4 | 1 1/2 | 2 |

SPECIFICATIONS

| Model | PS | PW | PX | PV | PP | PC | PD | GLASS | PC |
|------------|------------------------|----|------|-----------------------|------------------|-------|--------|---------|----|
| Max. Temp | 100°C | | 60°C | 70°C | 90°C | 120°C | 100°C | | |
| Max. Press | 10kg/cm ² G | | | 6kg/cm ² G | | | 4-6 kg | 6-12 kg | |
| Accuracy | WATER \pm 3% F.S | | | | AIR \pm 4% F.S | | | | |

ORDERING INFORMATION

| Body Material | Connection Type | Tube Material | Float Material | Seal Material |
|---------------|-----------------|---------------|----------------|---------------|
| S SS304 | A FPT | G GLASS | S SS304 | N NEOPRENE |
| W SS316 | B FNPT | P PC | W SS316 | V VITON |
| V P.V.C | C 美規由令 | | V P.V.C | T TEFLON |
| P P.P | D 南亞由令 | | P P.P | |
| D P.V.D.F | E 美規插管 | | D P.V.D.F | |
| X SS316L | F 南亞插管 | | X SS316L | |
| C C.P.V.C | G 衛生夾接 | | C C.P.V.C | |

| Protector Material | Connection Size | | Alarm Switch |
|--------------------|-----------------|-----------|--------------|
| S SS304 | 6 1/4" | 25 1" | N NONE |
| A ACRYLIC | 10 3/8" | 32 1 1/4" | H HI |
| P ALUMINUM | 15 1/2" | 40 1 1/2" | L LO |
| | 20 3/4" | 50 2" | A HI LO |

| Tube Size | Normal Flow Range | | | |
|-----------|-------------------|----------|----------|----------|
| | WATER | L/MIN | AIR | NL/MIN |
| 10 | 0.03-0.3 | 0.08-0.8 | 0.5-5.0 | 1-15 |
| | 0.05-0.5 | 0.1-1.0 | 1-10 | 2-20 |
| 15 | 0.1-1.0 | 0.3-3.0 | 3-30 | 6-60 |
| | 0.2-2.0 | 0.4-4.0 | 5-50 | 8-80 |
| 18 | 0.5-5.0 | 1-10 | 10-100 | 20-200 |
| | 0.6-6.0 | 1-15 | 15-150 | 25-250 |
| 20 | 1-10 | 2-20 | 20-200 | 30-300 |
| | 1-15 | 3-30 | 25-250 | 50-500 |
| 25 | 3-30 | 5-50 | 50-500 | 100-1000 |
| | 4-40 | 8-80 | 80-800 | 150-1500 |
| 32 | 5-50 | 10-100 | 150-1500 | 250-2500 |
| | 8-80 | 12-120 | 200-2000 | 300-3000 |
| 40 | 10-100 | 20-200 | 250-2500 | 350-3500 |
| | 15-150 | 25-250 | 300-3000 | 400-4000 |
| 50 | 30-300 | 50-500 | 350-3500 | 450-4500 |
| | 40-400 | 60-600 | 400-4000 | 500-5000 |

NOTE: 各尺寸流量，均可以依客戶需求訂製

