

# S-Series

## SPT, SPX LOW FLOW METERS



SPX



SPT

### APPLICATIONS

Low flow monitoring

Chemical batching

Proportional chemical injection

Fertilizer injection

### Features

- Accurate at low flows
- Simple and durable
- Compatible with a variety of chemicals
- Visual flow monitoring (SPX Only)

These versatile impeller flowmeters are available in 3/8", 1/2", 3/4", and 1" nominal pipe sizes with female NPT threads. They employ jewel bearings to allow for very low minimum flow rates and superior life.

The **SPX**, with a polypropylene body, is an economical choice for metering water or low corrosion fluids. The lens cover is available in a choice of materials: acrylic for visual flow indication of low-corrosion fluids; polypropylene when more corrosion resistance is needed. The standard rotor assembly is Kynar® with tungsten carbide shaft. The O-ring is EPDM.

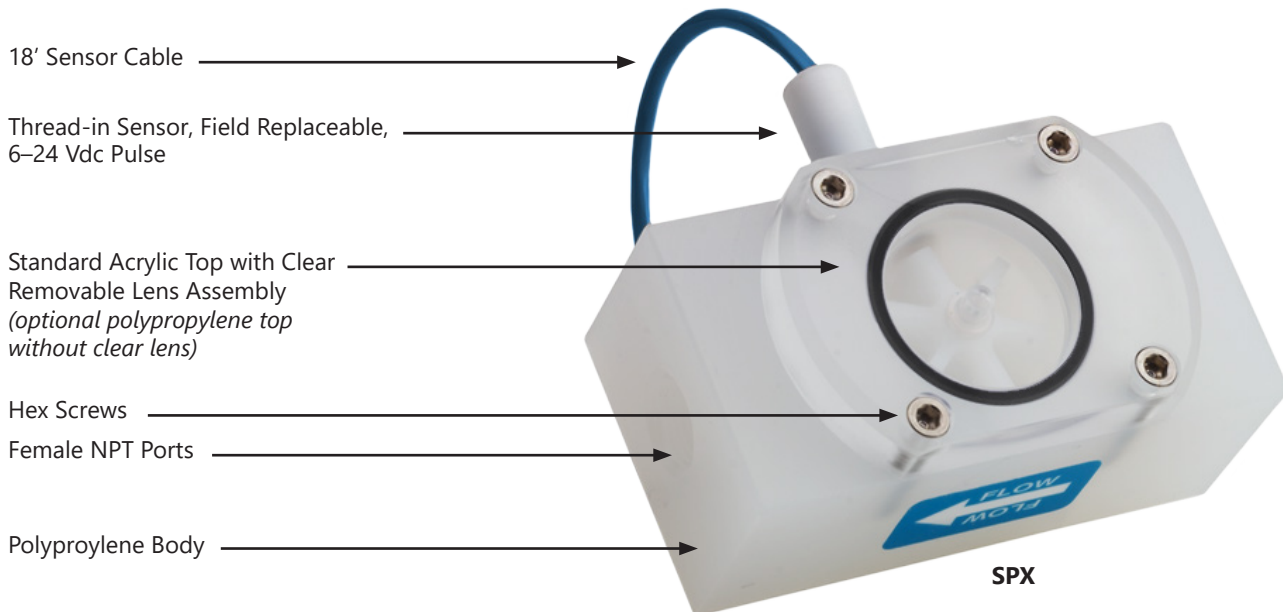
The **SPT** offers greater chemical resistance with a Teflon® body and cover, Teflon®-coated Viton® O-ring, and standard Kynar®/ceramic rotor assembly.

The pulse output of these meters is compatible with many different types of controls, including a full range of Seametrics rate displays and controls. The Seametrics FT430 and FT440 provide flow rate and total flow indication. The FT440 also includes 4-20 mA output capability. The FT450 is a battery-operated rate & total display.

### Contact Your Supplier

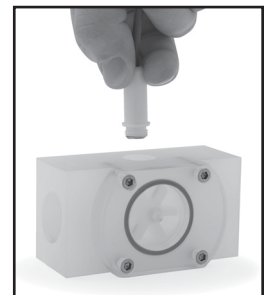


**Features**

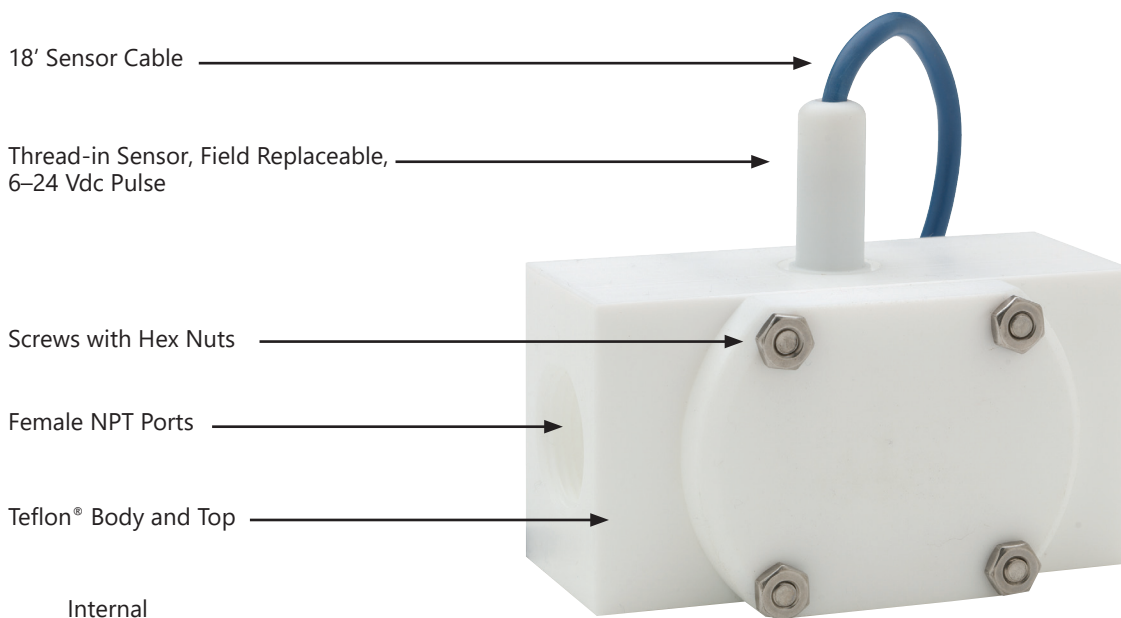


Internal

- Jewel Bearings—Ruby Ring and Ball
- Kynar®/Tungsten Carbide Rotor Assembly (*Kynar®/Ceramic or Kynar®/Silicon Carbide optional*)
- EPDM O-Ring (*Viton® or Teflon®-coated Viton® optional*)



*Field Replacement of Sensor*



Internal

- Jewel Bearings—Ruby Ring and Ball
- Kynar®/Ceramic Rotor Assembly (*Kynar®/Silicon Carbide optional*)
- Teflon®-coated Viton® O-Ring (*Viton® or EPDM optional*)

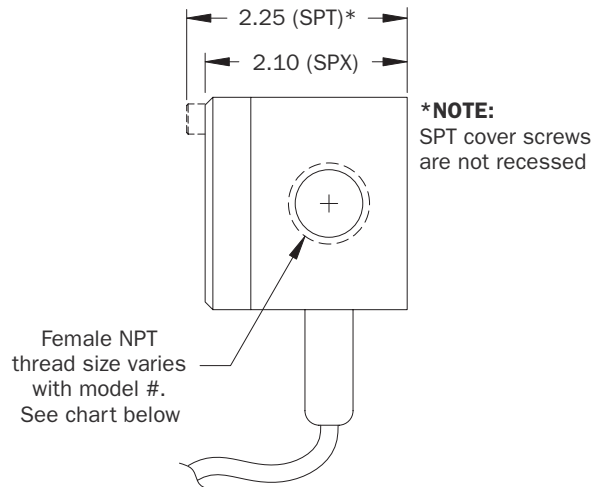
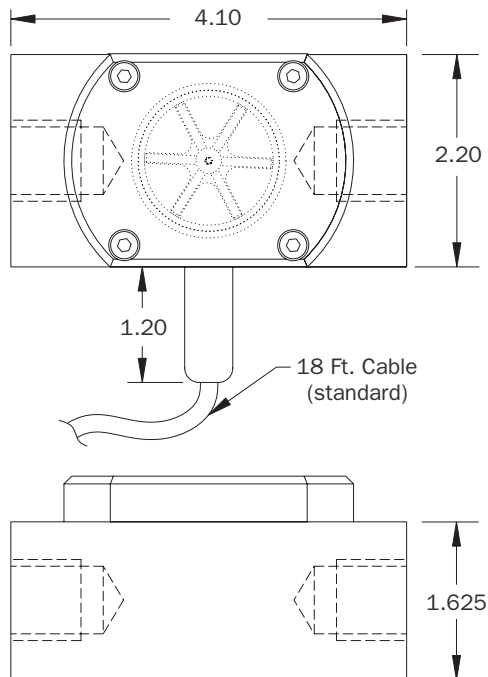
## Specifications\*

		SPX	SPT
<b>Connection Ports</b>		3/8", 1/2", 3/4", 1" —Female NPT thread	3/8", 1/2", 3/4", 1" —Female NPT thread
<b>Sensor Cable</b>		18 ft (6 m) standard—maximum cable run 2000 ft (607 m)	18 ft (6 m) standard—maximum cable run 2000 ft (607 m)
<b>Materials</b>	<b>Body</b>	Polypropylene	TFE Teflon®
	<b>Rotor</b>	PVDF (Kynar®)—2 magnet <i>(6 magnet high resolution optional)</i>	PVDF (Kynar®)—2 magnet <i>(6 magnet high resolution optional)</i>
	<b>Shaft</b>	Nickel tungsten carbide <i>(ceramic or silicon carbide optional)</i>	Zirconia ceramic <i>(silicon carbide optional)</i>
	<b>O-Ring</b>	EDPM (Viton® or Teflon®-coated Viton® optional)	Teflon®-coated Viton® (Viton® or EDPM optional)
	<b>Bearings</b>	Ruby ring and ball	Ruby ring and ball
	<b>Cover</b>	Acrylic with clear lens <i>(polypropylene without clear lens optional)</i>	TFE Teflon®
<b>Maximum Temperature</b>		160° F (70° C)	180° F (82° C)
<b>Maximum Pressure</b>		150 psi (10 bar)	150 psi (10 bar)
<b>Accuracy</b>		±1% of full scale	±1% of full scale
<b>Power</b>	<b>Standard</b>	6–36 Vdc, 2 mA min.	6–36 Vdc, 2 mA min.
	<b>Micropower</b>	3.1–16 Vdc (for use with FT450 and DL76 only)	3.1–16 Vdc (for use with FT450 and DL76 only)
<b>Outputs</b>		Current sinking pulse, 6–24 Vdc	Current sinking pulse, 6–24 Vdc

\* Specifications subject to change. Please consult our website for current data ([seametrics.com](http://seametrics.com))

Kynar is a registered trademark of Arkema, Inc., Teflon and Viton are registered trademarks for DuPont Corporation

## Dimensions



Model #	NPT Thread Size
-038	3/8"
-050	1/2"
-075	3/4"
-100	1"

## How to Order

Model	Size	Options	
		SPX	SPT
SPX = Polypro/Acrylic SPT = TFE Teflon®	-038 = 3/8" (0.07–5 gpm) -050 = 1/2" (0.1–10 gpm) -075 = 3/4" (0.2–20 gpm) -100 = 1" (0.5–40 gpm)	-01 = Ceramic shaft -04 = Micropower pickup (required for use with FT450) -06 = Standard power, LMI 4-pin connector -07 = Standard power, Seametrics control connector -12 = Polypro cover -13 = High resolution rotor -25 = Teflon®-coated Viton® o-ring -60 = Viton® o-ring -68 = Silicon carbide shaft -70 = SAE threads -106 = Roytronic® Series A Pump 5-pin connector -116 = BSP threads	-04 = Micropower pickup (Required for use with FT450) -06 = Standard power, LMI 4-pin connector -07 = Standard power, Seametrics control connector -13 = High resolution rotor -60 = Viton® o-ring -68 = Silicon carbide shaft -69 = EPDM o-ring -70 = SAE threads -106 = Roytronic® Series A Pump 5-pin connector -117 = BSP threads

### Accessories

FT430 = Rate and Total Indicator, DC powered	PC3 = Plug-in Power Converter, 100–115 Vac, 24 Vdc
FT440 = Rate and Total Indicator, loop powered	PC12 = DIN or Wall Mount Power Converter, 100–115 Vac, 24 Vdc
FT450 = Rate and Total Indicator, battery powered	PS40 = Pulse Splitter
FT520 = Batch Flow Processor	

*Kynar is a registered trademark of Arkema, Inc., Roytronic is a registered trademark of Milton Roy Company, Teflon and Viton are registered trademarks of DuPont Corporation*

**User is responsible for reviewing end use application with their supplier for product suitability.**

## Flow Range

Model #	K-Factor* (pulses/gal)		Gal/Min	Liter/Min
	SPT	SPX		
-038	1394	1417	0.07–5	0.27–18.9
-050	634	658	0.1–10	0.38–37.9
-075	476	468	0.2–20	0.75–75
-100	250	254	0.5–40	1.9–150

*\*Nominal K-factors (based on averages) for standard 2-magnet SPT and SPX. High resolution (6-magnet) K-factors are approximately tripled.*

## Pressure Drop Curves

