



# ALIAMAG

## Converter For Electromagnetic Flowmeter

### Model AMC3200DF Series

## GENERAL

**ALIAMAG** The AMC3200DF Series converter features in dual frequency excitation. The reduced noise and improved signal to noise ratio make it more idea for slurry measurement in various industries such as papermaking and chemistry. The unit features multiple display parameters including flow rate, flow total, diagnostics, programming and troubleshooting. It's equipped with bluetooth, HART and MODBUS communication functions.

## FEATURES

- Dual Frequency Excitation Method
- Three line LCD display Flow Rate / Totalizer
- Accuracy of +/-0.4% value of reading
- Bi-directional flow measurement, current and pulse output
- Explosion Proof, Ex d ia [ia] q IIC T6
- Bluetooth / MODBUS / HART communication
- Converter can be rotated at four directions for easy installation



## STANDARD SPECIFICATION

- Excitation : Dual Frequency Excitation
- Display : 3 Lines LCD with illumination
  - Line 1 : 9 Digit totalizer for forward flow
  - : 9 Digit totalizer for reverse flow
  - : 9 Digit totalizer for difference
  - Line 2 : 5 Digit flowrate / velocity / % / mA / Hz
  - Line 3 : Parameter / Query / Clr tot / Query LOG
  - Alarm, Guidance
  - Totalizer Unit : t, kg, g, lb, Ston, Lton, m<sup>3</sup>, L, mL, lgal, gal, Mgal, bbl, ft<sup>3</sup>, a-ft
  - Time Unit : sec, min, hour, day
- Measuring Range : Min. 0-0.15 m/s
- : Max. 0-15 m/s
- Accuracy : +/-0.4% of reading (Velocity ≥ 1.0 m/s)
- : +/-0.002 m/s (Velocity: 0.3...1.0 m/s)
- Repeatability : +/-0.2% of reading
- Current Output : 4-20 mA (Isolated)
  - Load : Max. 500 Ω
- Pulse Output : Open collector
  - Rating : 3-30 VDC, 50 mA Max.
- Pulse Rate : 1) Scaled pulse (mL/Pulse, L/Pulse, Other)
- : 2) Frequency: 0-5000 Hz
- Pulse Width : 50% of band width
- Alarm : High / Low with open collector output
  - Rating : 3-30 VDC, 50 mA Max.
- Communication : Bluetooth (Android) Standard
- : RS485 (MODBUS Protocol) Standard
- : HART signal (Compatible) Optional
- Keypad : 3 Internal keys for programming and display control
- Data Storage : Operation parameters and totalizer figures are stored by EEPROM for more than 10 years
- Low Flow Cutoff : 0-9.9%
- Damping : 0-99 Seconds
- Density Setting : 0.001-9.999 g/cm<sup>3</sup>
- Self Diagnosis : The following error messages are displayed if failure occurs
  - Abnormal sample
  - Pulse width
  - Overanged output
  - Internal error
  - Overflow
  - Empty pipe
- Cable Entry : Standard: M20 Option: 1/2" NPTF
- Protection Class : IP67, Explosion Proof, Ex d ia [ia] q IIC T6
- Ambient Temperature : -25~65 °C
- Material : Aluminum Alloy
- Power Supply : 90-260 VAC, 50/60 Hz
- : 24 VDC +/-10% (Option)
- Power Consumption : 6-8 W (Dependent on sensor size)
- Weight : 4.5 kg
- Mounting : Bracket on 2" pipe
- AMF Collocation Type : AMF900, AMF601, AMF500
- Sensor Size : DN50-DN450

## ALIA TECHNOLOGY LLC

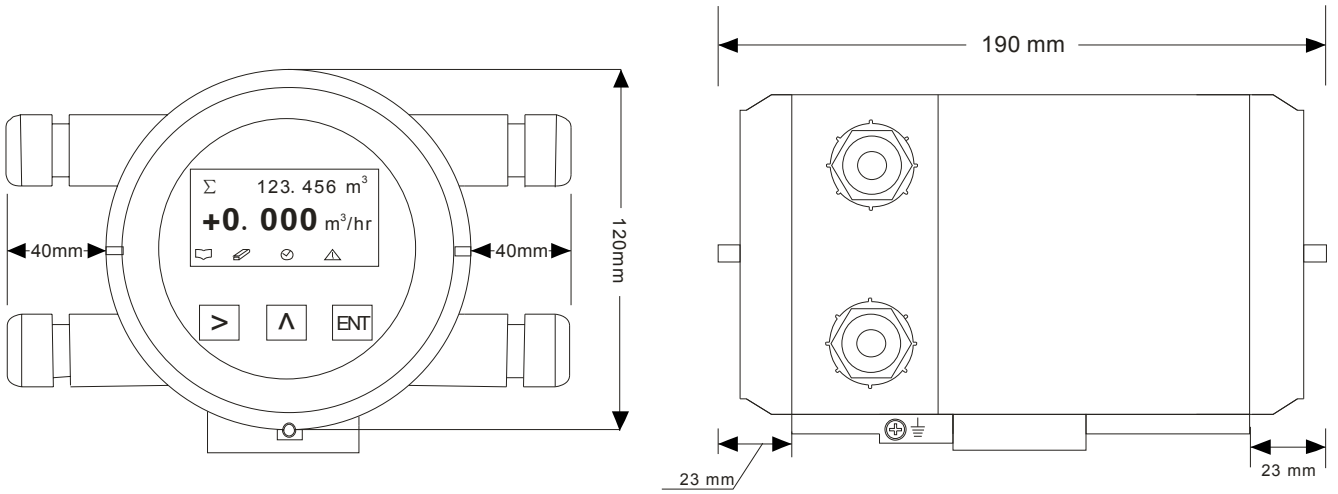
633 W. 5th Street, 26th Floor, Los Angeles, CA 90071, USA  
 TEL : + 1 - 213 - 533 - 4139 FAX : + 1 - 213 - 223 - 2317



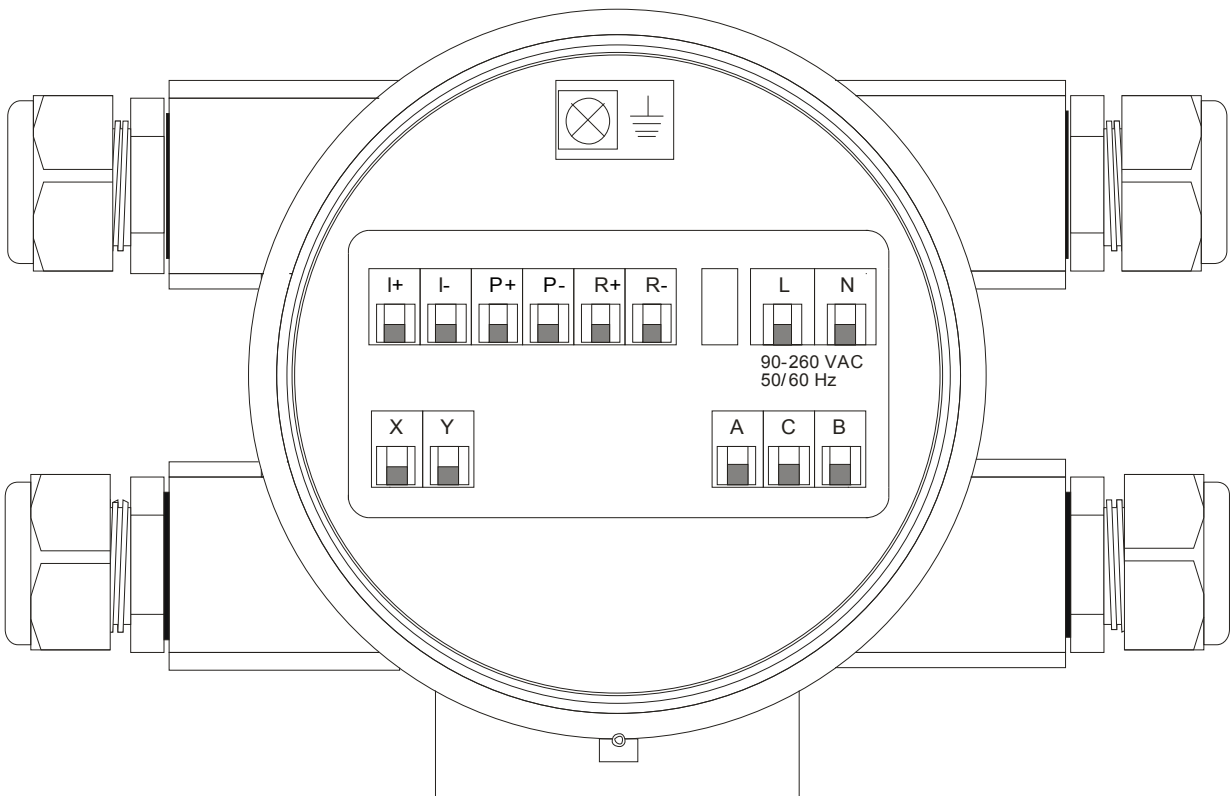
URL : [www.alia-inc.com](http://www.alia-inc.com)  
 E-mail : [alia@alia-inc.com](mailto:alia@alia-inc.com)  
 AMC3200DFV1.2.3.r1.A4.en



**➤ DIMENSIONS**



**➤ WIRING DIAGRAM**

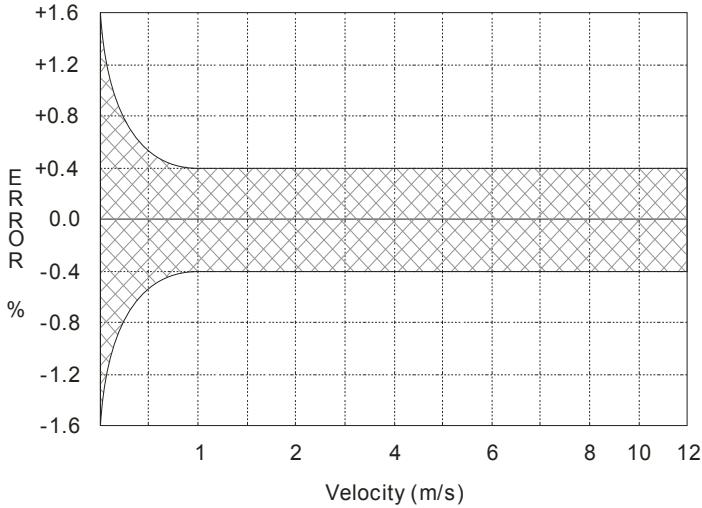


I+: 4-20 mA Output +  
I-: 4-20 mA Output -

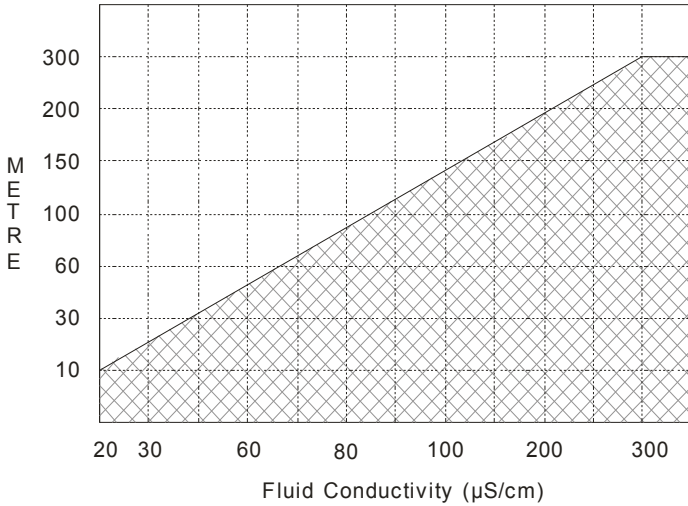
P+: Pulse Output +  
P-: Pulse Output -

R+: RS485 Output +  
R-: RS485 Output -

**➤ ACCURACY**



**➤ CABLE LENGTH BETWEEN SENSOR & CONVERTER**



**➤ MODEL SELECTION GUIDE**

AMC3200DF Series					
Example: AMC3200DF-AC-CP-EX-HT/PT					
AMC3200DF-	XX-	XX-	XX-	XX	Description
Power Supply	AC-				90-260 VAC, 50/60 Hz
	DC-				24 VDC, +/-10%
Mounting	CP-				Compact with Sensor
	S2-				Remote, 2" Mounting Bracket or Wall Mounting
Protection Class	NN-				IP67
	EX-				Explosion Proof, Ex d ia [ia] q IIC T6
Option	NN				None
	HT				HART Signal (Compatible)
	PT				Cable Entry 1/2" NPTF

**➤ BUILD OPTIONS-(COMPACT OR REMOTE)**

