

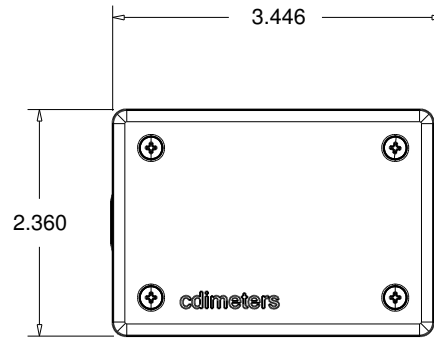
MATERIALS:

ENCLOSURE

LID - POLYCARBONATE
 BASE - ABS + PC

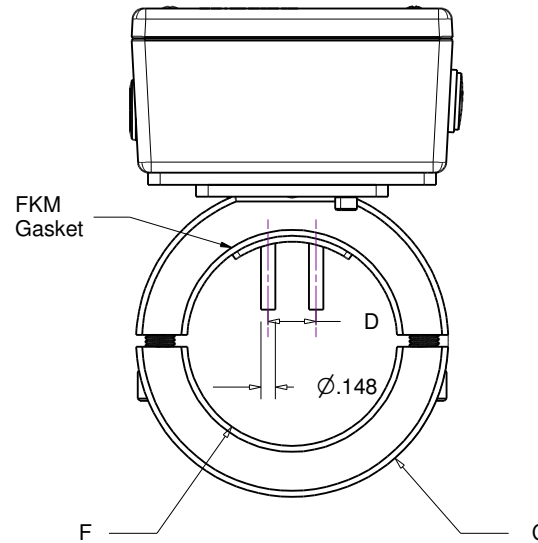
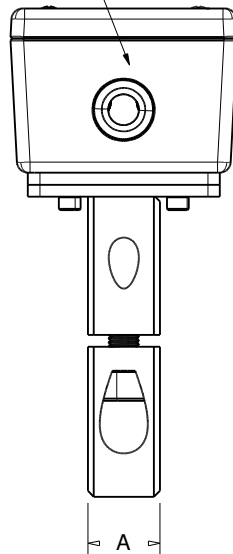
RINGS - ALUMINUM, BLACK ANODIZED

PROBES - TYPE 304 STAINLESS, TIPS
 GOLD PLATED

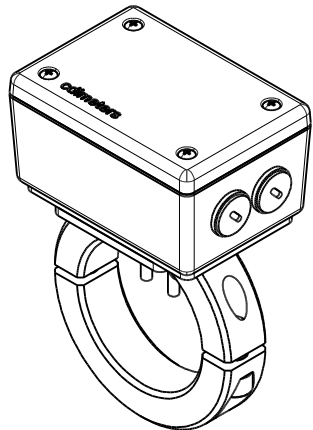
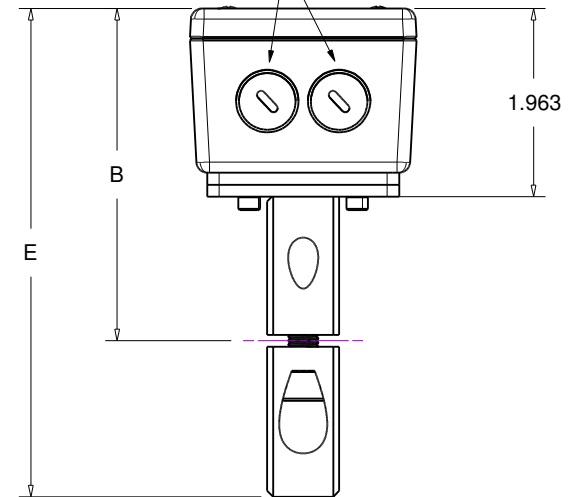


| METER SIZE | A | B | C | D | E | F |
|------------|-------|-------|--------|-------|--------|-------|
| 50M | 0.750 | 3.463 | 3.250 | 0.500 | 5.088 | 2.031 |
| 20C | 0.750 | 3.463 | 3.250 | 0.500 | 5.088 | 2.188 |
| 20S | 0.750 | 3.588 | 3.500 | 0.500 | 5.338 | 2.438 |
| 25C | 0.875 | 3.838 | 4.000 | 0.500 | 5.838 | 2.688 |
| 25S | 0.875 | 3.963 | 4.250 | 0.500 | 6.088 | 2.938 |
| 63M | 0.875 | 3.713 | 3.750 | 0.500 | 5.588 | 2.500 |
| 76M | 0.875 | 4.088 | 4.500 | 0.750 | 6.338 | 3.062 |
| 30C | 0.875 | 4.088 | 4.500 | 0.750 | 6.338 | 3.187 |
| 30S | 0.875 | 4.273 | 4.875 | 0.750 | 6.713 | 3.562 |
| 40C | 0.875 | 4.588 | 5.500 | 0.750 | 7.338 | 4.187 |
| 101M | 0.875 | 4.588 | 5.500 | 0.750 | 7.338 | 4.062 |
| 40S | 0.875 | 4.776 | 5.875 | 0.750 | 7.713 | 4.562 |
| 50S | 0.875 | 5.338 | 7.000 | 0.750 | 8.838 | 5.625 |
| 60C | 0.875 | 5.588 | 7.500 | 0.750 | 9.338 | 6.218 |
| 60S | 0.875 | 5.838 | 8.000 | 0.750 | 9.838 | 6.718 |
| 80S | 0.875 | 6.838 | 10.000 | 0.750 | 11.838 | 8.718 |

0.330 GROMMET-LINED
 OPENING FOR POWER
 CONNECTION



TWO HOLES, 1/4" NPT
 WITH REMOVABLE PLUGS



CDI 5400 REV 3 FLOWMETER
 SHOP DRAWING
 JANUARY 3, 2020
 CDI METERS, INC.