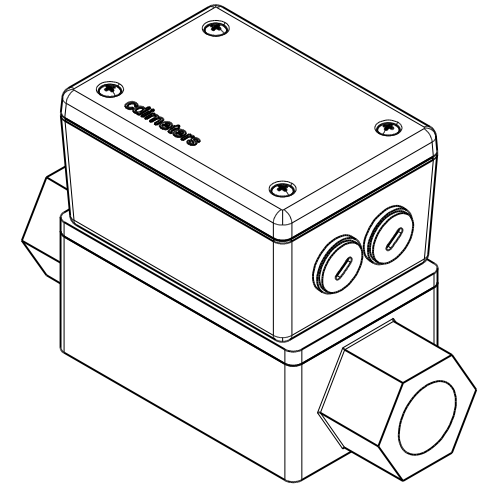
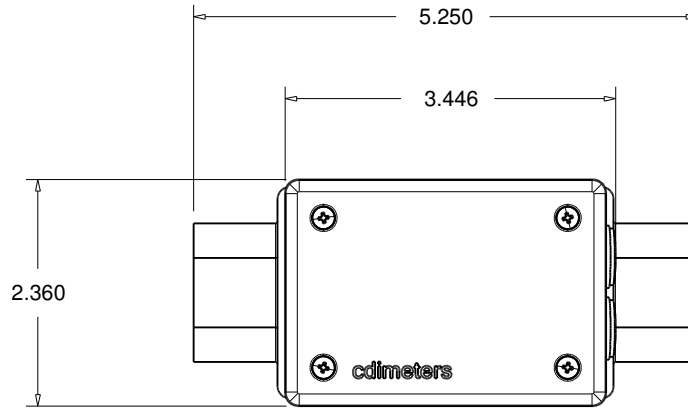


MATERIALS:

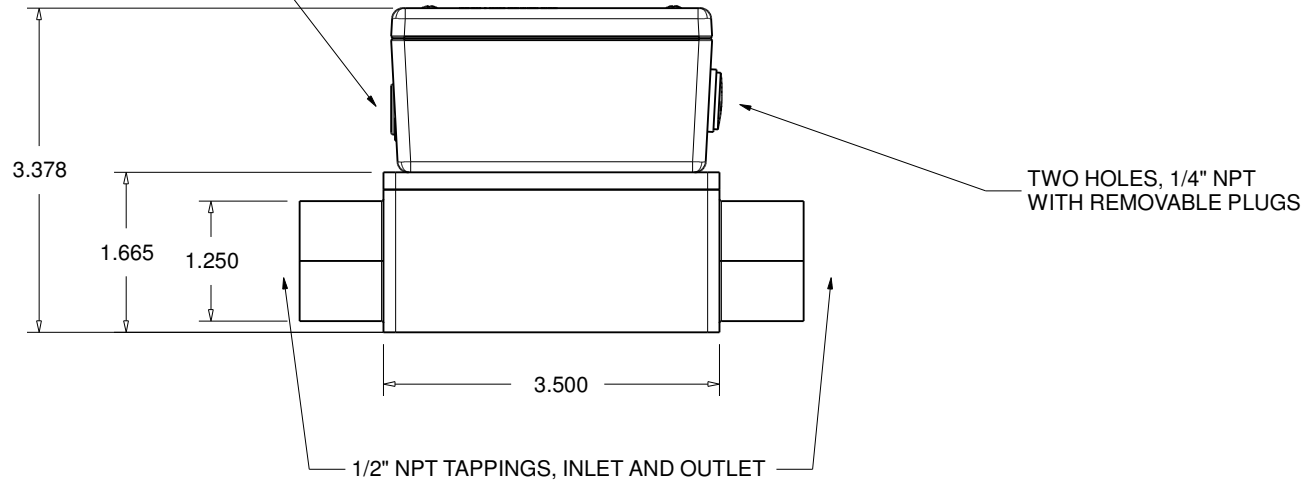
ELECTRONIC ENCLOSURE
LID - POLYCARBONATE
BASE - ABS + PC

BASE - ALUMINUM

PROBES - TYPE 304 STAINLESS, TIPS
GOLD PLATED



0.330 GROMMET-LINED
OPENING FOR POWER
CONNECTION



NOTE: 6" LG. X 1/2" DIA. PIPE INCLUDED WITH THE METER, WHICH
MUST BE THREADED INTO THE UPSTREAM TAPPING IN THE ALUMINUM BLOCK

CDI 5100-05S-40 FLOWMETER
SHOP DRAWING
DECEMBER 3, 2019
CDI METERS, INC.