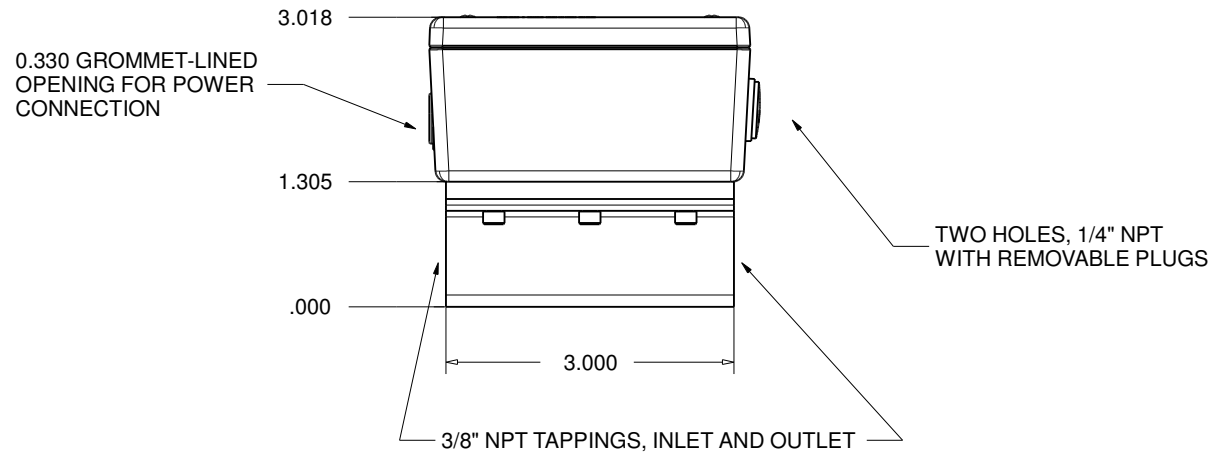
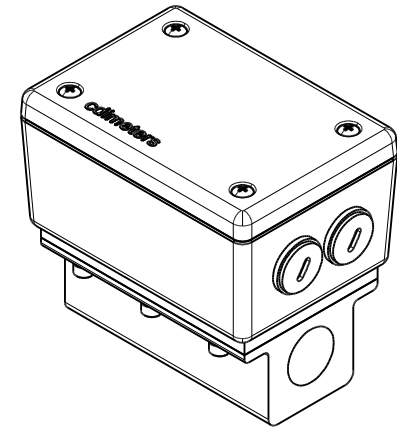
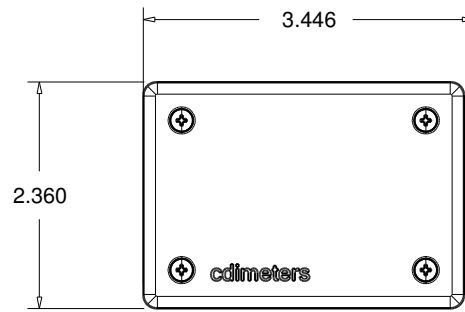


MATERIALS:

ELECTRONIC ENCLOSURE
LID - POLYCARBONATE
BASE - ABS + PC

BASE - ALUMINUM

PROBES - TYPE 304 STAINLESS, TIPS
GOLD PLATED



NOTE: 6" LG. X 3/8" DIA. PIPE INCLUDED WITH THE METER, WHICH
MUST BE THREADED INTO THE UPSTREAM TAPPING IN THE ALUMINUM BLOCK

CDI 5100-03S-20 FLOWMETER
SHOP DRAWING
NOVEMBER 27, 2019
CDI METERS, INC.