

THS03/04 - OEM



3-wire Temperature & Humidity Transmitter for Indoor / Duct / OEM Type

APPLICATIONS

Features

- Capable of temperature compensation and linear adjustment.
- With compact design and reasonable price, easy to install, high C/P ratio.
- Foreign-made sensor with high accuracy and long-term stability.
- OEM type, MOQ: 20 pcs.

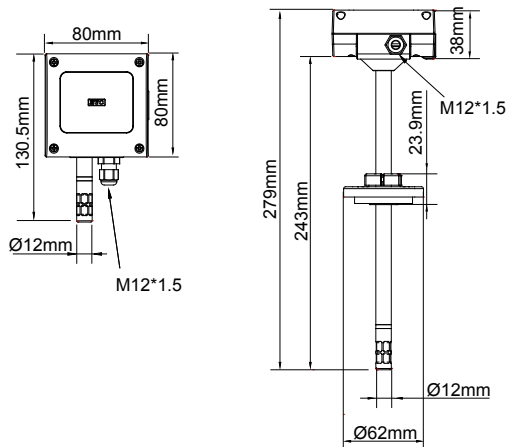
Applications

- Monitoring for HVAC process / air conditioning / environmental ventilation control.
- Environmental monitoring for building / factory / clean room / Lab
- Monitoring for storeroom / crisper / agriculture / food industry.
- Temperature and humidity measuring in hospital / pharmaceutical industry / textile industry.



Installation	Function	Power Supply	Temperature Range	Humidity Range	Option
03 : indoor type 04 : duct-mounting	A : temperature & humidity output	1 : 24 VDC±15%	30 : 0~50°C	00 : 0~100%	E : none

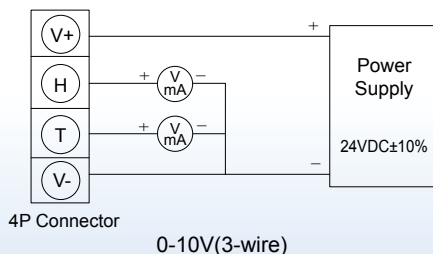
DIMENSION



THS03

THS04

CONNECTION DIAGRAM



TECHNICAL SHEET

INPUT

Input..... capacitive humidity sensor & PT 100 Ω
 Measuring range..... temperature: 0~50°C ; humidity : 0~100%
 Working range temperature: 0~50°C ; humidity : 5~95%

OUTPUT

Output..... 0-10V ; 3-wire

ACCURACY (at 25°C)

Temperature ±0.5°C
 Humidity..... ±3% RH(10 ~ 90%)
 Load resistance 0~10V ≥ 10KΩ
 Output calibration (ZERO & SPAN) adjustment range
 10% of zero-point and full-range
 Response time t90 (at 25°C) < 20S

ENVIRONMENT

Media measured..... air
 Working temperature..... 0~50°C
 Working humidity 0~95 % (non-cond.)
 Storage temperature..... -25 ~ 60°C

ELECTRICAL REGULATION

Power supply 24VDC ± 15%
 Electrical connection..... 4P connector
 Installation indoor / duct-mounting
 Protection degree IP 54 (Sensor: IP 20)
 Electrical protection polarity protection
 Certification..... CE
 Housing PC fire-proof class
 Probe PC fire-proof class
 Packing..... 20 pcs/CTN
 Weight THS03: 119g / THS04: 164g