

MODEL
MAR-TM

MODEM LINE USE ARRESTER



FEATURES

Small size(mm) : 99(H), 25(W), 61(D).
Case & color : black ABS plastic case.
Weight : about 80g.

INSTALLATION

Operating temperature : -5~+55'C
Operating humidity : 90%RHmax.(non condensing)
Mounting : channel mount (rail type)

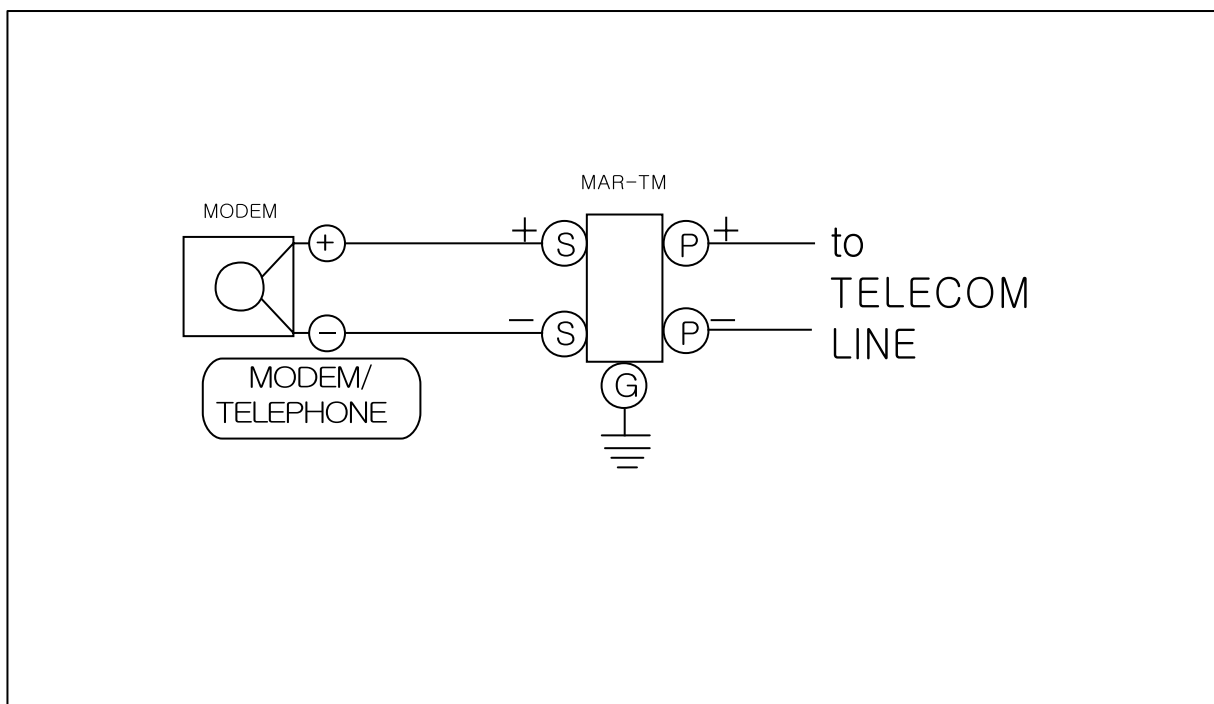
This product is manufactured to protect site instruments and precision instruments from threatened disaster factor such as surge, high-voltage noise and lightning applied to the data modem signal transmitting lines of various magnetic field instruments.

본 제품은 각종 계장기기의 모뎀 전송선로에 인가되는 써지, 고압노이즈, 낙뢰등의 위협적인 장애요소로부터 현장계기 및 정밀 계측기기를 보호하는 목적으로 제작되었습니다.

MODEL & SPECIFICATION CODE

- MODEL : MAR-TM
- Discharge voltage
between lines : 270V/DC or more
between line & GND : 350V/DC maximum
- Max. surge voltage
between lines : 650V maximum
- Response time : 0.1microseconds or less
- Discharge current : 10 KA (8X20 microseconds)
- Max. load current : 500mA
- Internal series resistance : approx. 0.1ohm
- Permissible leakage current
between lines : 100 μ A or less (at 160V DC)
between line & GND : 100 μ A or less (at 160V DC)

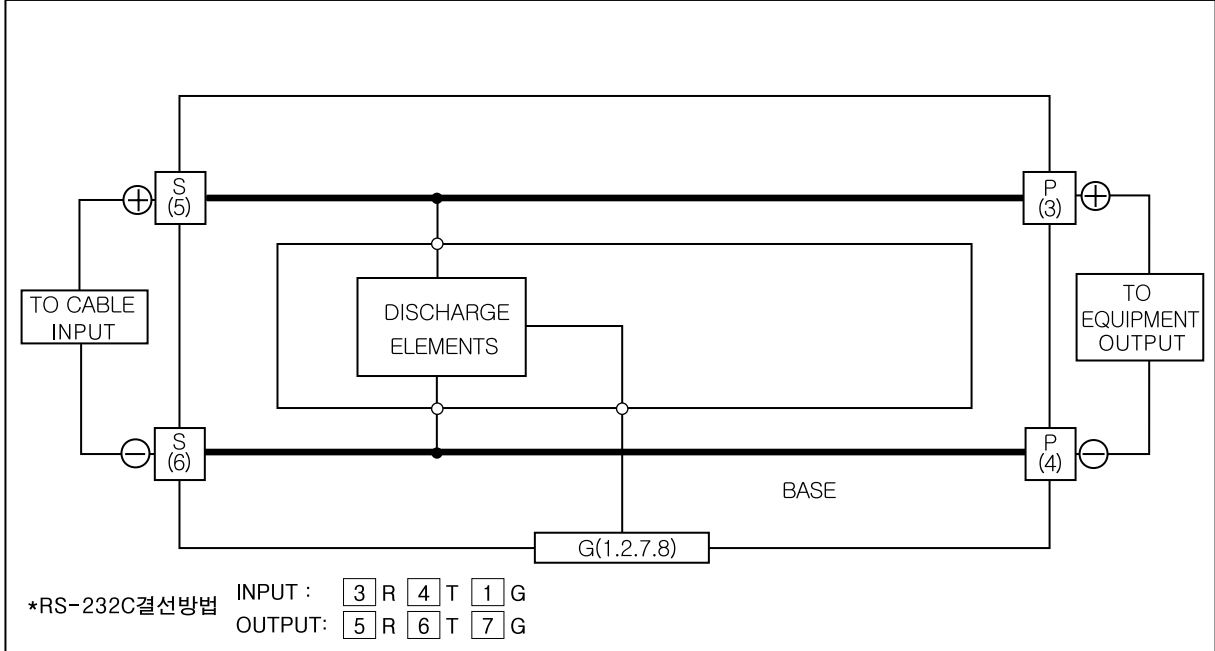
CONNECTION DIAGRAM



MODEM LINE USE ARRESTER

MODEL
MAR-TM

■ BLOCK DIAGRAM & PIN CONNECTION



■ EXTERNAL DIMENSION

DIMENSION'S (mm)

