

MODEL MAR-100/200	AC/DC POWER LINE USE ARRESTER
-----------------------------	--------------------------------------



This production be fabricated for the purpose of protection of the field instruments and /or the fine measuring equipments from the dangerous cause like surge, noise of high voltage and thunderbolt which can be applied to the power transmission line of instrumentation equipments.

■ FEATURES

Small size(mm) : 99(H), 25(W), 61(D).
 Case & color : black ABS plastic case.
 Weight : about 80g.

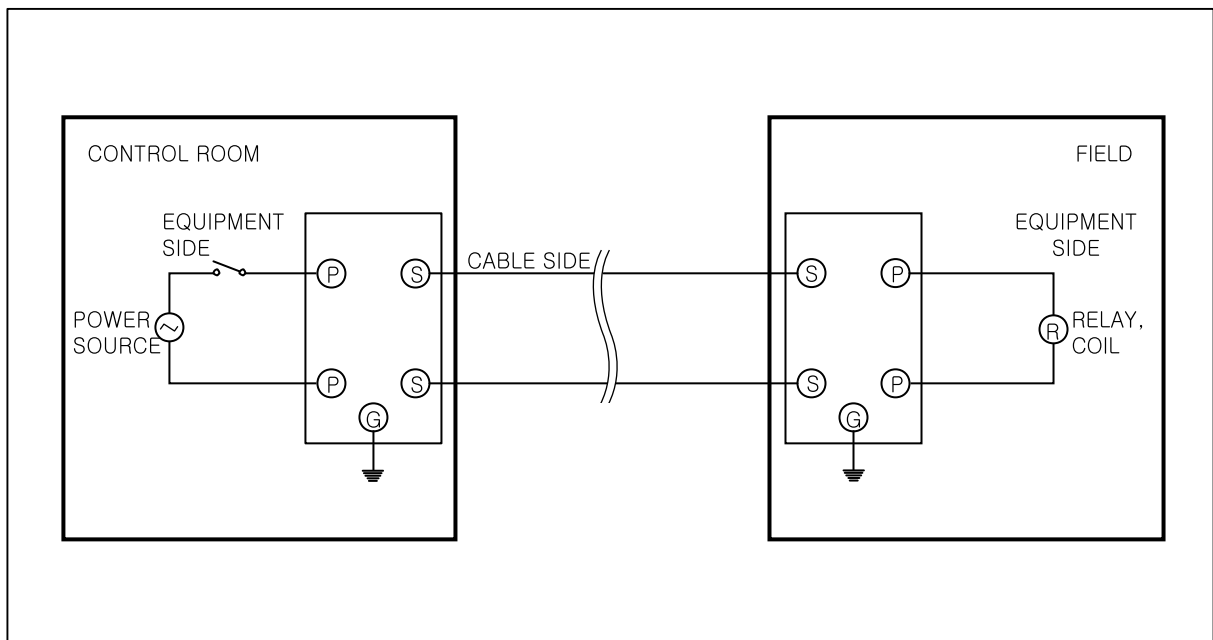
■ INSTALLATION

Operating temperature : -5~+55'C
 Operating humidity : 90%RHmax.(non condensing)
 Mounting : channel mount (rail type)

■ MODEL & SPECIFICATION CODE

- MODEL : MAR-100/200
- Discharge voltage
 between lines : 190V / 410V or more (peak)
 between line & GND : 410V or more (peak)
- Max. surge voltage
 between lines : 400V / 800V
 between line & GND : 800V
- Response time : 0.1microseconds or less
- Discharge current : 10KA (8X20 microseconds)
- Max. load current : 2.0A
- Internal series resistance : approx. 0.4ohm
- Promissible Leakage Current
 between lines : 0.1mA or less (at 150V DC)
 between line & GND : 0.1mA or less (at 300V DC)
- Capacity between lines : 1μF
- Max. line voltage : 120V AC / 170V DC(MAR-100)
- Max. line voltage : 250V AC / 350V DC(MAR-200)

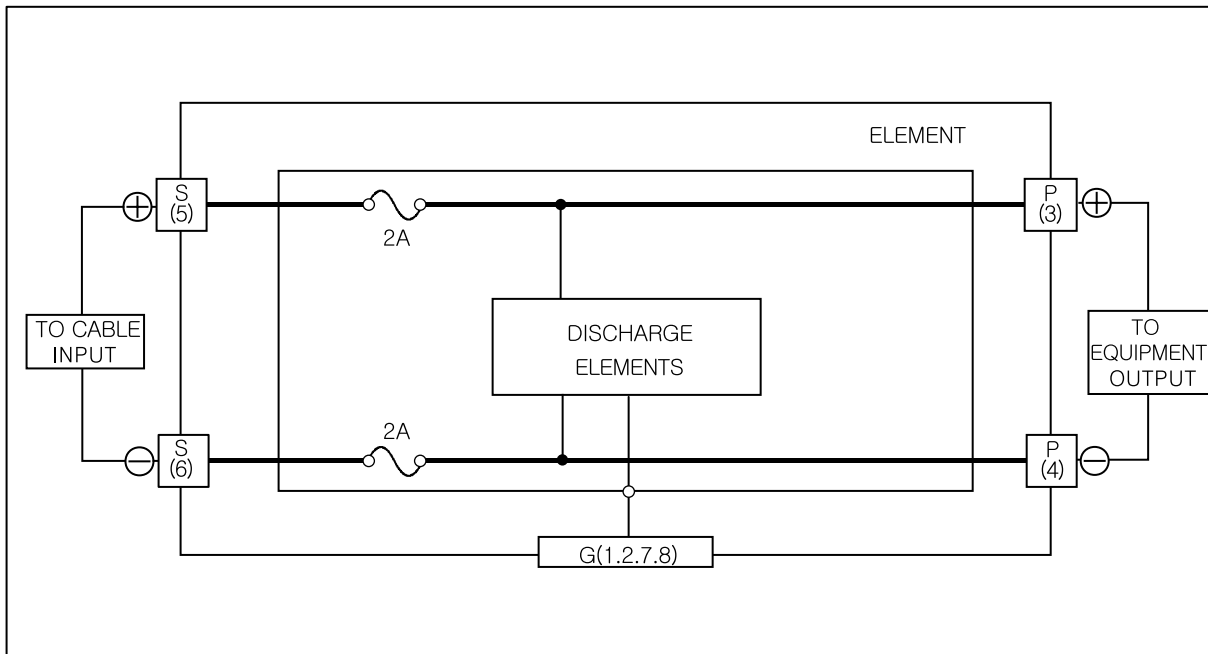
■ CONNECTION DIAGRAM



AC/DC POWER LINE USE ARRESTER

MODEL
MAR-100/200

■ BLOCK DIAGRAM & PIN CONNECTION



■ EXTERNAL DIMENSION

DIMENSION'S (mm)

