

MODEL	<b>SIGNAL LINE USE ARRESTER</b>
MAR-24	



This product is manufactured to protect site instruments and precision instruments from threatened disaster factor such as surge, high-voltage noise and lightning applied to the signal line signal transmitting lines of various magnetic field instruments.

본제품은 각종 계장기기의 신호전송선로에 인가되는 써지, 고압노이즈, 낙뢰등의 위협적인 장애요소로부터 현장계기 및 정밀 계측기기를 보호하는 목적으로 제작되었습니다.

### MODEL & SPECIFICATION CODE

- MODEL : MAR-24
- Discharge voltage  
between lines : 30V or more  
between line & GND : 500V maximum
- Max. surge voltage  
between lines : 40V maximum
- Response time : 0.1microseconds or less
- Discharge current : 10 kA (8X20 microseconds)
- Max. load current : 100mA
- Internal series resistance : Approx. 20ohm
- Permissible leakage current  
between lines : 5 $\mu$ A or less (at 30V DC)  
between line & GND : 5 $\mu$ A or less (at 140V DC)
- Capacity between lines : 1 $\mu$ F
- Max. line voltage : 30V

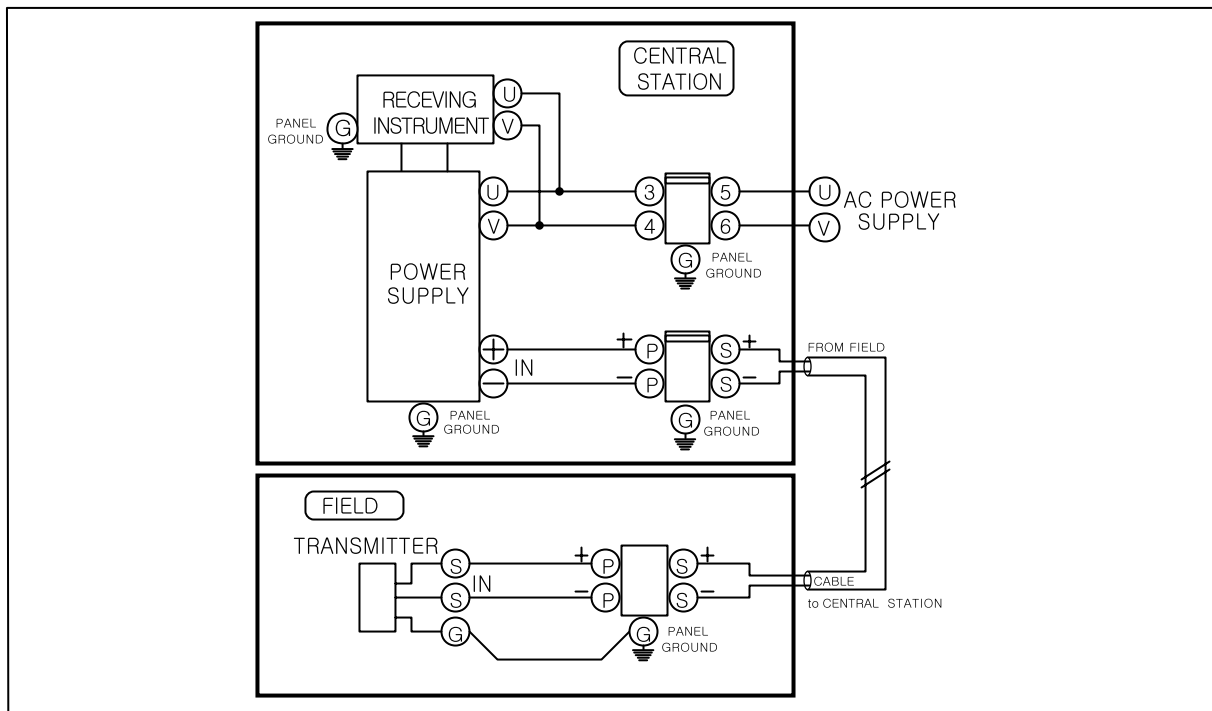
### FEATURES

Small size(mm) : 99(H), 25(W), 61(D).  
Case & color : black ABS plastic case.  
Weight : about 80g.

### INSTALLATION

Operating temperature : -5~+55°C  
Operating humidity : 90%RHmax.(non condensing)  
Mounting : channel mount (rail type)

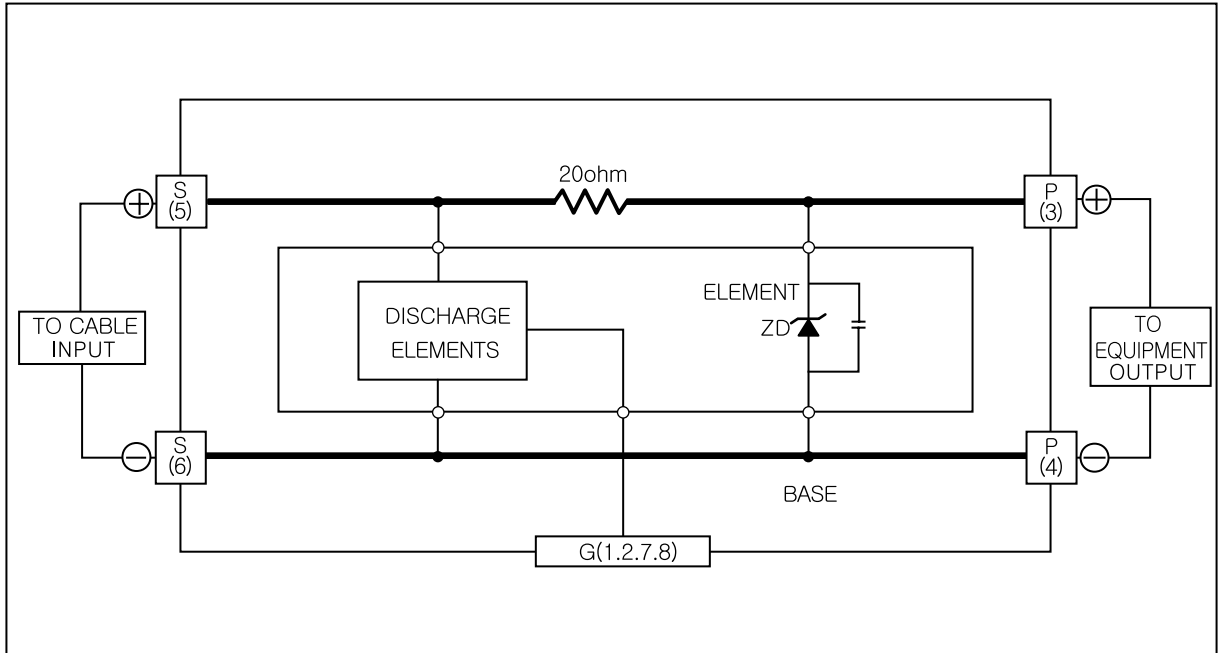
### CONNECTION DIAGRAM



**SIGNAL LINE USE ARRESTER**

MODEL  
MAR-24

■ **BLOCK DIAGRAM & PIN CONNECTION**



■ **EXTERNAL DIMENSION**

DIMENSION'S (mm)

