

# Model SLT

## Liquid Tank Level Gauge



SEOJIN INSTECH CO., LTD.

# LIQUID TANK LEVEL GAUGE



## ■ Principle of Operation

The float connected to the measuring tape rises and falls according to the change of liquid level inside the tank. When the float rises measuring tape is wound to the constant spring drum in proportion to the change in liquid level.

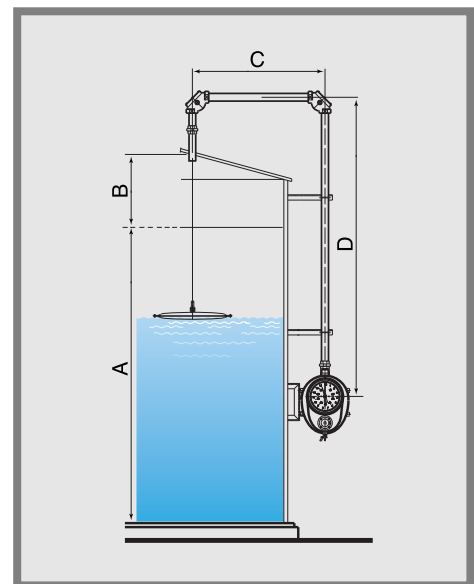
When the float falls, measuring tape is released by the weight of float, and this movement of float is transmitted to point-scale plate (or counter) by the gear mechanism.

If remote indication is needed, the mechanical indication is converted to 4-20 mA output signal by the potentiometer.

**Ideal for Huge Tanks**

**High Accuracy ( $\pm 2.0\text{mm}$  of F.S)**

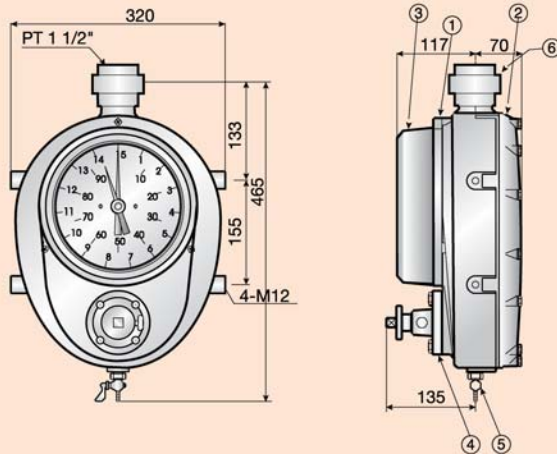
**Reliable Operation**



mm	A	B	C	D
Length				

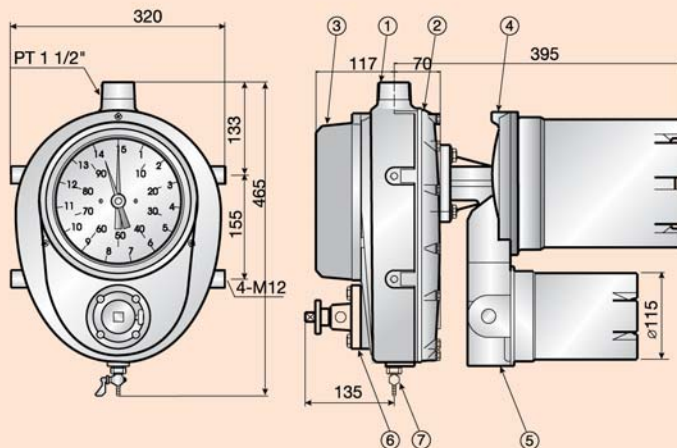
## Overall Dimensions

### Weather proof type



P.No.	Name of part	Q'TY	Material
1	BODY	1	ADC
2	BACK COVER	1	ADC
3	SCALE COVER	1	ADC
4	HOIST GEAR ASS'Y	1	C.AI
5	DRAIN VALVE	1	Brass
6	UNION	1	304SS

### Explosion proof type

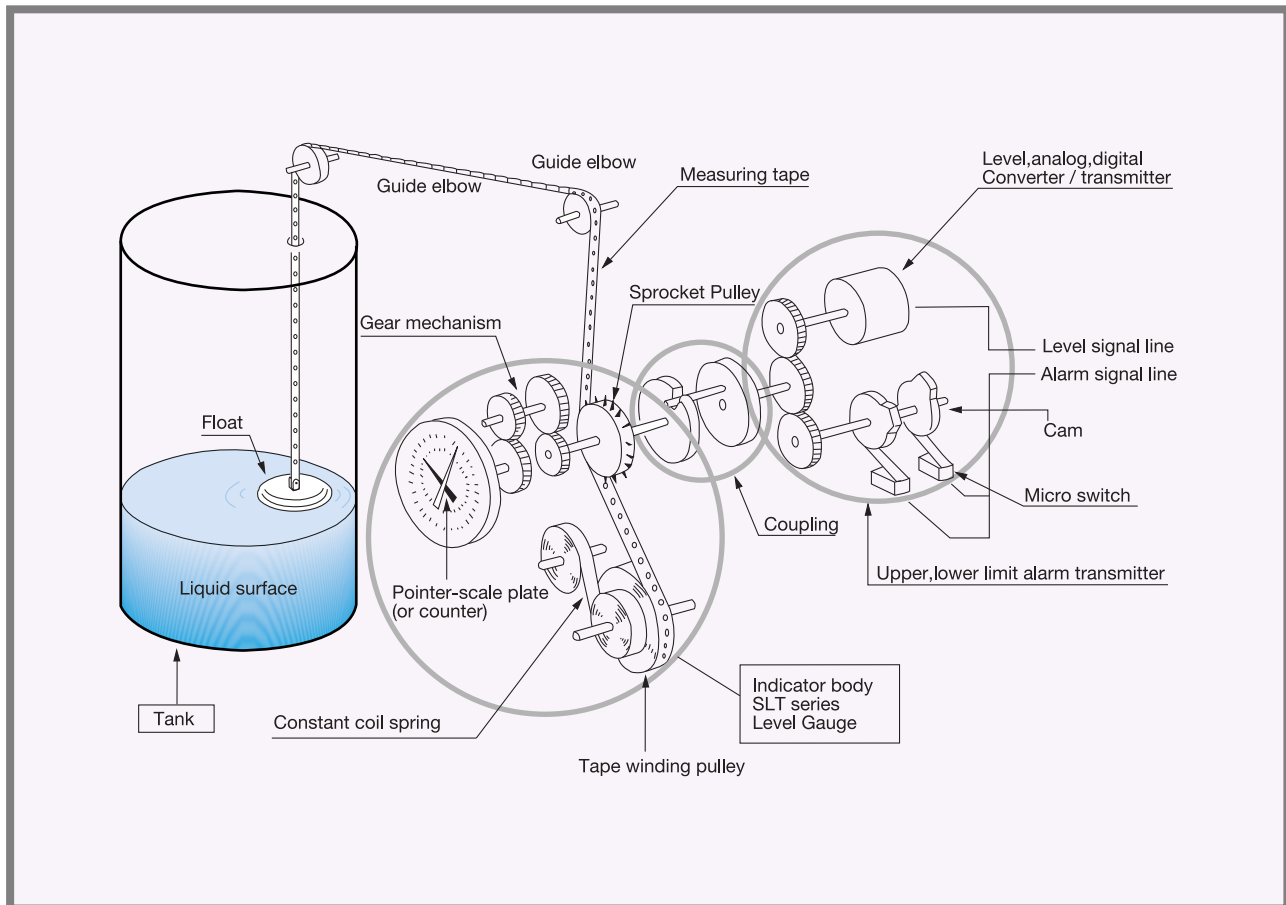


P.No.	Name of part	Q'TY	Material
1	BODY	1	ADC
2	BACK COVER	1	ADC
3	SCALE COVER	1	ADC
4	TRANSMITTER ASS'Y	1	ADC
5	Ex. Proof T.Box	1	ADC
6	HOIST GEAR ASS'Y	1	C AL
7	DRAIN VALVE	1	Brass

## Specifications

Model	SLT - Serise	SLT - Seal Pipe Type
Measuring Method	Measuring Displacement by Float	→
Power Supply	15 ~ 32VDC (2-Wire) : Transmitter type only	→
Output Signal	Local Dial Indicator, 1~8 Point alarm, 4~20mADC Analog	→
Measuring Range	0~2m, 3m, 5m, 6m, 8m, 10m, 12m, 15m, 20m(Max.)	→ 15m(Max.)
Accuracy	± 2.0mm	→
Specific Gravity	0.65 Min.	→
Process Pressure	0.2Kg/cm <sup>2</sup>	Nor. 1Kg/cm <sup>2</sup> , 5Kg/cm <sup>2</sup> (Option)
Process Temperature	60℃	150℃
Contact Rating	SPDT, 6A, 250VAC	→
Enclosure	Weather proof or Explosion proof ( Ex d IIB T6, IP65 )	→
Certificate	ATEX	

## Operating structure of tank level gauge



### Application (Low pressure)

Gasoline, Heavy oil, Lamp oil, Naphtha, Asphalt, Benzol, Thorium, Caustic soda, Industrial water, Distilled water, Beer, Refined rice wine, Whisky, Soy, Molasses, Etc.

### Application (Medium / Pressure)

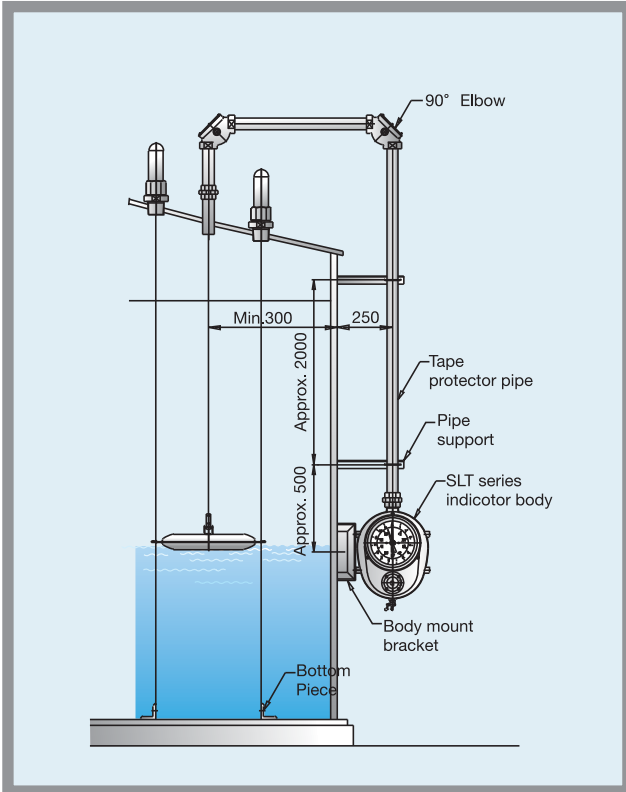
LPG, Ammonia, Liquid oxygen, Liquid nitrogen, Liquid carbonic acid, Ethylene, Chlorite vinyl, Acetylene, Butanol, Etc.

## Specification Sheet or Inquiry Form

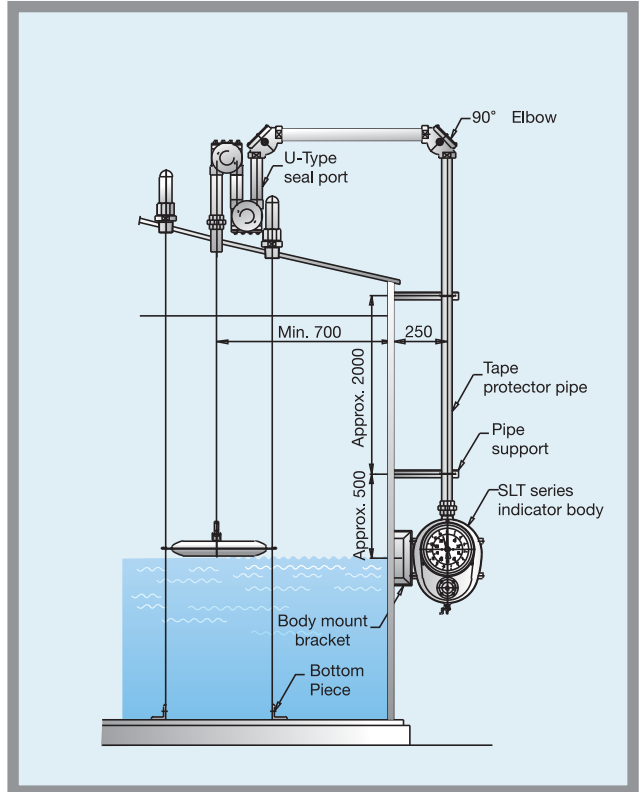
1	Name of liquid		7	Location of local indicator	Tank top	Tank side
2	Viscosity	cP	8	Connection	Union	Flange
3	Inside temperature of tank	°C	9	Construction of transmitter case	Weather proof	Explosion proof
4	Type of tank		10	Accessories		
5	Tank height	m	11	Spare parts		
6	Pressure of tank inside	kgf/cm <sup>2</sup>	12	Type of transmitter		

# Installation of the SLT level gauge on a tank

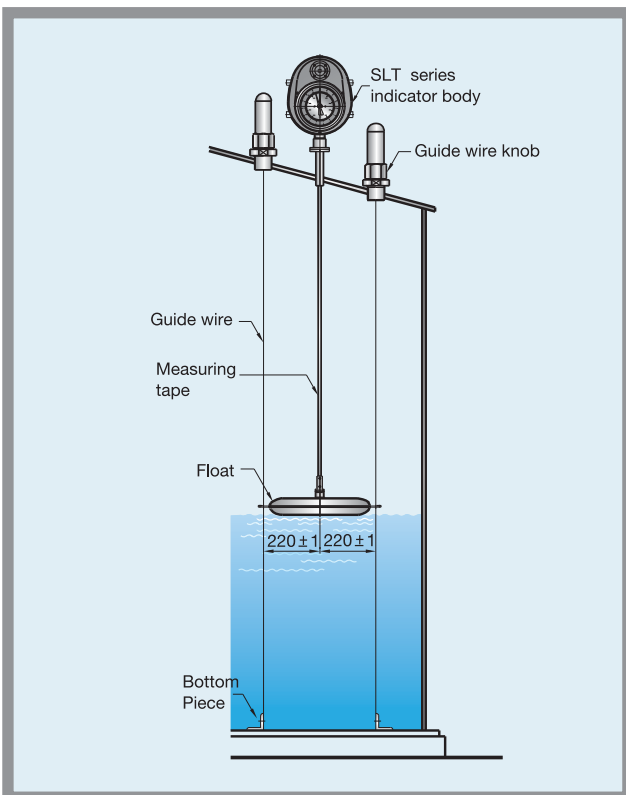
## Installation to the side of tank



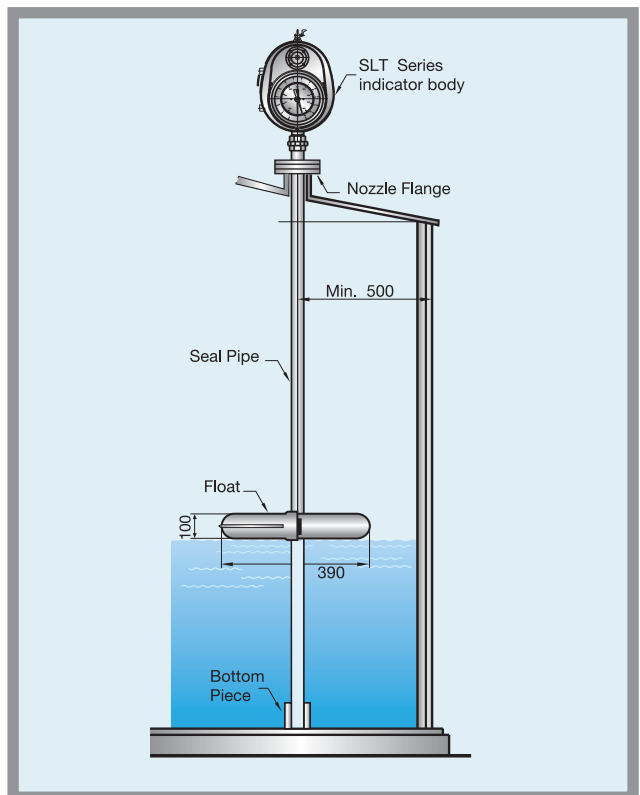
## Installation of the U-Type seal port



## Installation to the top of tank

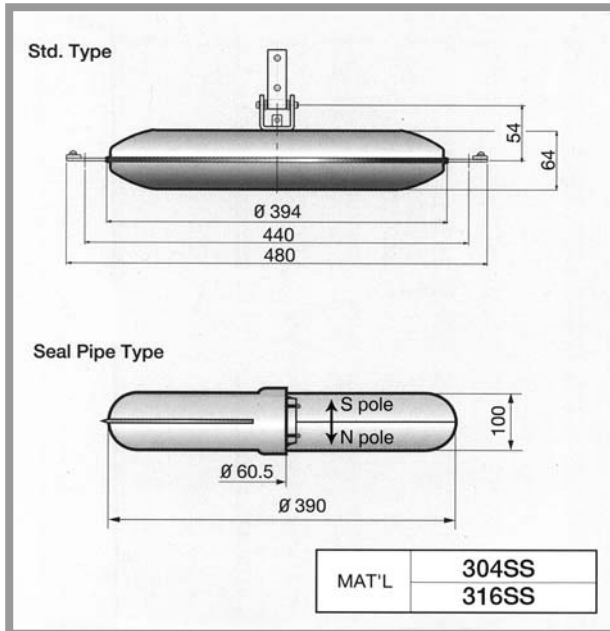


## Installation Seal Pipe & top of tank

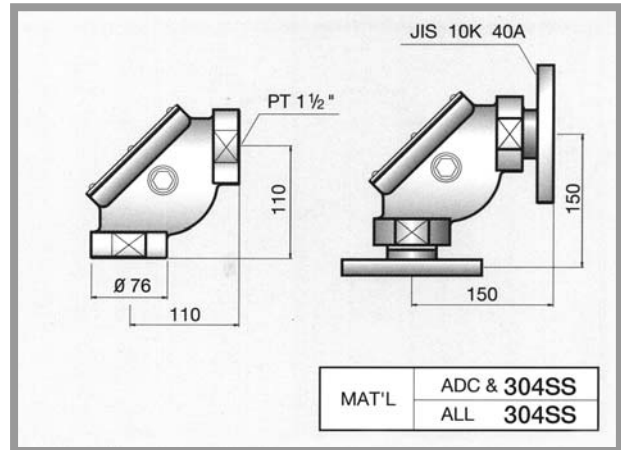


## Dimensions Extra part

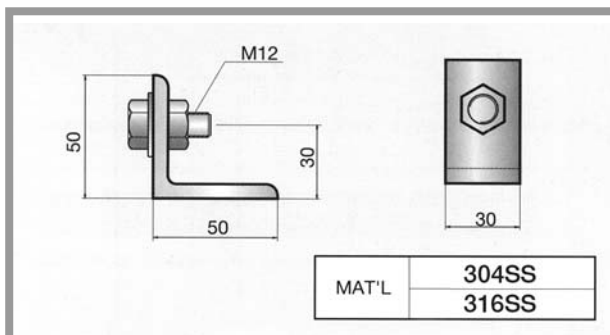
### Float



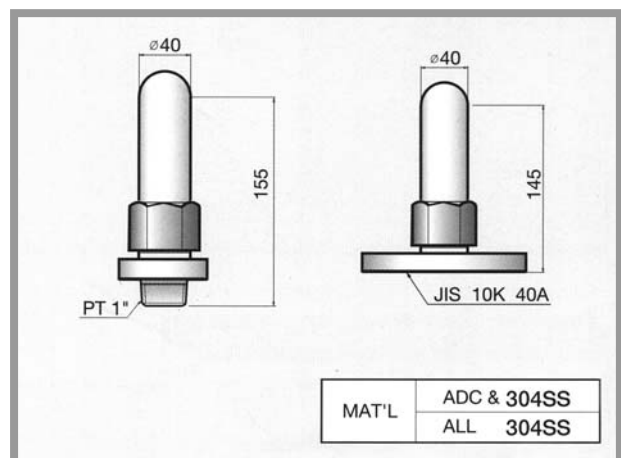
### 90° Guide elbow



### Bottom piece

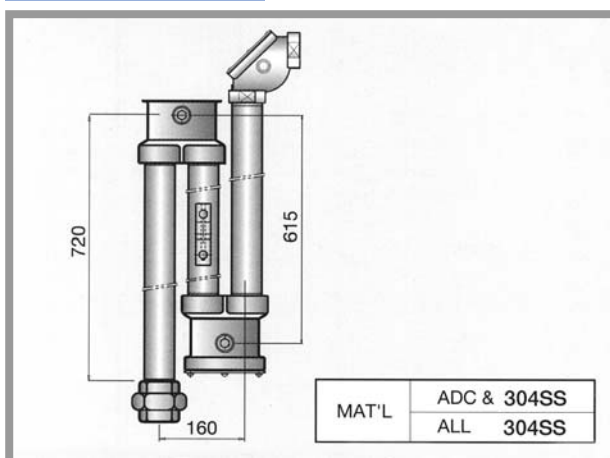


### Guide wire knob

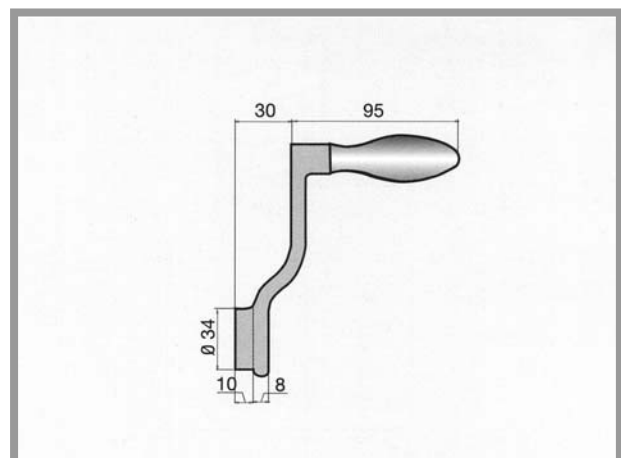


## Option Part

### U-Type seal port



### Hoist handle



# Certificate of Explosion Proof



Ref. Cert. No.

2007-1009-Q1

## Certificate of Approval

Product	LIQUID TANK LEVEL GAUGE
Name and address of the applicant	SEOJIN INSTECH CO., LTD. (91-18, Gunja-dong, Gwangjin-Gu, Seoul, Korea)
Name and address of the manufacturer	Ditto
Name and address of the factory	Ditto
Rating and principal characteristics	Ex d IIB T6 (DC 24V, 4-20mA)
Trade mark (if any)	
Model / Type Ref.	SLT
Additional information (if necessary)	
A sample of the product was tested and found to be in conformity with	Article 33, Industrial Safety & Health Law
The terms of validity	Until Jan. 30, 2012
This Certificate of Approval is issued by the KOSHA	
Date :	Sep. 30, 2009 Jan. 31, 2007 (Original issue)
Signature	
President	Noh, Min Ki

PF 054-07-00

Certificate of Explosion proof



## Ordering Informations

### ■ LIQUID TANK LEVEL GAUGE

SLT - 2200 A 1 A 1 A 1 A

#### CONDUIT CONNECTION

A = PF 3/4" (Std.)  
 B = PT 3/4"  
 C = PF 1/2"  
 D = PT 1/2"  
 OP= etc.

#### ENCLOSURE

1 = Weather proof (Std.)  
 2 = Explosion proof (Ex d IIB T6)

#### MOUNTING METHOD

A = Side mount (Std.)  
 B = Top mount

#### MEASURING PART LENGTH

1 = 3 M  
 2 = 5 M(Std.)  
 3 = 6 M  
 4 = 10M  
 5 = 12M  
 6 = 15M  
 7 = 20M(Max.)

#### MOUNTING SIZE

A = PT 1 1/2" Socket (Std.)  
 B = NPT 1 1/2" Socket  
 C = JIS 10K 40A FF 304SS Flange (7EA)  
 OP= etc.

#### WET PART MATERIAL (Include in Float, Bottom piece, Guide wire)

1 = 304SS (Std.)  
 2 = 316SS

#### ALARM CONTACT

A = None  
 B = 2 Point  
 C = 4 Point  
 D = 6 Point  
 E = 8 Point

#### OUT PUT

1100 = Local dial indicator	(NO transmitter)		
2200 = 4~20mA DC output	(Transmitter)		
3300 = 1~8 point Alarm output	(Switch)		
4400 = Alarm & 4~20mADC output	(Transmitter)		
11SP = Local dial indicator	(NO Transmitter)	Seal Pipe Option Type	
22SP = 4~20mA DC output	(Transmitter)	"	"
33SP = H/L point Alarm Output	(Switch)	"	"
44SP = H/L Alarm & 4~20mA Output	(Transmitter)	"	"

■ When placing an order, selected ordering number should be indicated on the purchase order sheet.

Printed by KOART. 2010.04 98-CG-005. Rev:4



**SEOJIN INSTECH CO., LTD.**

#91-18 Gunja-dong, Gwangjin-gu, Seoul, Korea  
 Tel: 82-2-2204-8500 Fax: 82-2-466-6445  
<http://www.seojin.biz>

■ Specifications subject to change without notice.