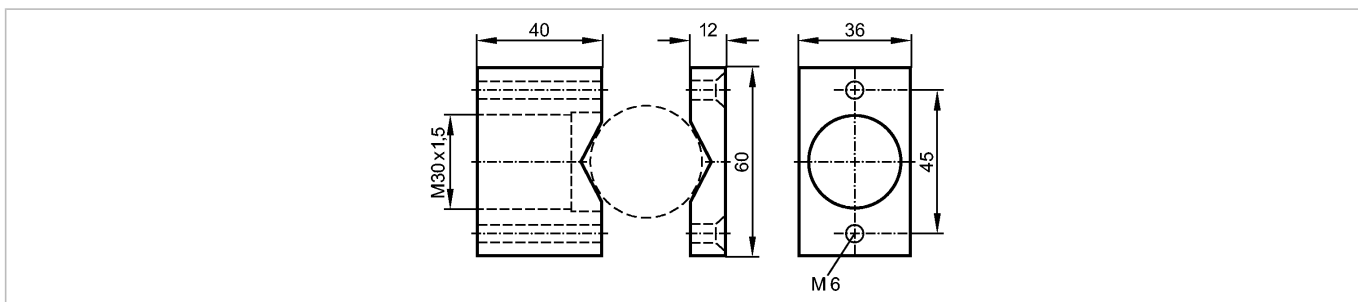


E11037

MOUNTING KIT M30 G1/4-1

Accessories



Made in Germany

Product characteristics

Mounting set

M30 x 1.5 / G ¼...G 1

Mechanical data

Design	for capacitive sensors on rising pipes G ¼" - 1"
Housing materials	POM (polyoxymethylene)
Weight [kg]	0.127
Process connection	G ¼" - 1"

Remarks

Pack quantity [piece]	1
-----------------------	---