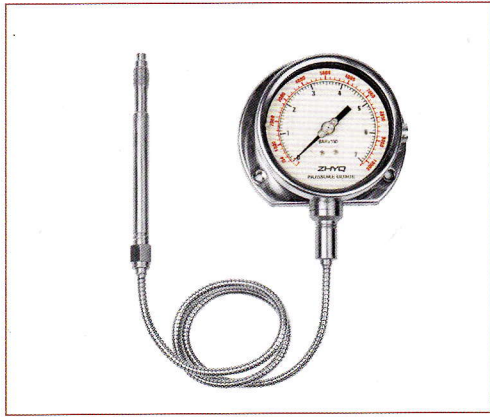




Mechanical flexible stem melt pressure gauge PT124Y-614



PT124Y-614

Description

PT124Y-614 adopts the original packaging machine stamen, and designed with all stainless steel structure, isolated diaphragm and local index display. With dial plate's step-up and stem-down versions, the gauge head can be rotated 360° for unobstructed viewing.

Application

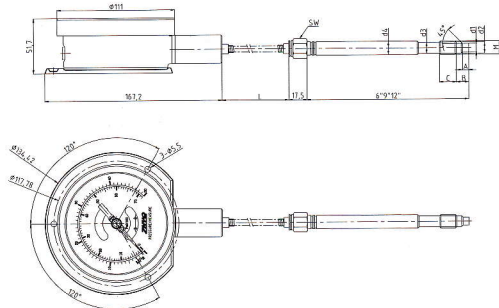
It can be widely used in chemical fibre and filature, rubber & plastic machinery, and other equipment of high temperature steam.

Ordering Guide

Model	Range	Snout / Flexible Length	Process connection	Other requirement
PT124Y-614	---	---	---	---
Example : PT124Y-614-350Bar-6"/18"-1/2-20UNF				

Dimensions

PT124Y-614



H	d1	d2	d3	d4	A	B	C	SW	6"	8"	12"	L
10-200MPa	41.8	48.5	49.5	49.5	11	15	14	14	14	14	14	14
10-100MPa	41.8	48.5	49.5	49.5	11	15	14	14	14	14	14	14
0-10MPa	41.8	48.5	49.5	49.5	11	15	14	14	14	14	14	14
0-1MPa	41.8	48.5	49.5	49.5	11	15	14	14	14	14	14	14
0-0.1MPa	41.8	48.5	49.5	49.5	11	15	14	14	14	14	14	14
0-0.01MPa	41.8	48.5	49.5	49.5	11	15	14	14	14	14	14	14
0-0.001MPa	41.8	48.5	49.5	49.5	11	15	14	14	14	14	14	14

Specifications

- Pressure range: 0-1MPa~0~150MPa
- Diameter: 100mm
- Flexible length: 0.5m ~ 5m
- Accuracy: 1.6%FS
- Needle sweep: 270°
- Max diaphragm temperature: 350°C
- Diaphragm material: 15-5PH
- Case material: Stainless steel with safety glass
- Pressure connector: 1/2-20UNF, M22 × 1.5, G1/2, G3/4

(Optional)