

Evaluation systems

SR0150

VS3000
Control monitor for flow sensors
Mounting on DIN rail

Electrical connection by means of
Combicon connectors with screw
terminals (fitted)
Connection: 1 sensor



Made in Germany

Application
Electrical design
Output
Operating voltage [V]
Voltage tolerance [%]
Contact rating
Short-circuit proof
Reverse polarity protection
Overload protection
Current consumption [mA]
Switching function
Flow monitoring
Function display
Adjustment of the switch point
Selection liquids / gases
Switching function
Temperature monitoring
Output status indication LED
Switch point setting
Temperature range
Repeatability switch point / measured value [K]
Switching function
Wire break monitoring
Output status indication LED
Response time [s]

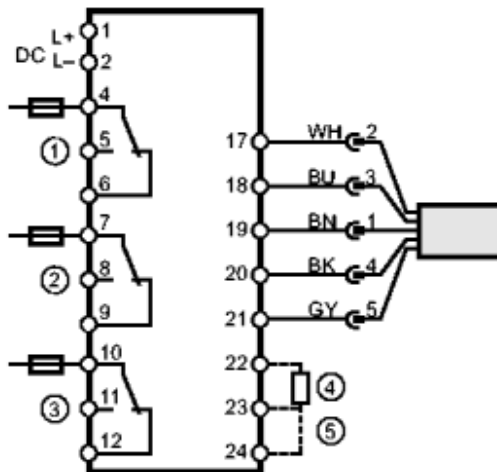
flow, temperature and wire break monitoring
DC
relay
24 DC
+10 / -20
4 A (250 V AC / 30 V DC)
no
no
no
90
relay energised when flow is present and during the power-on delay time
11 LED
with pot.
link terminals 23-24 **)
relay energised when temperature is exceeded
red
with pot.
0...80
± 4
relay de-energised in case of wire break or short circuit
red
max. 3

SR0150

Power-on delay time [s]	10...80 *)
Undervoltage monitoring	In case of undervoltage all relays are de-energised, the LED "LOW VOLTAGE/WIRE BREAK-RELAY" lights
Ambient temperature [°C]	-20...60 ***)
Protection	IP 20, III
MTTF [Years]	263
Housing materials	PBT
Connection	Combicon connector
Weight [kg]	0.235
Remarks	*) adjustable (fixed-value resistors terminals 22-23) **) Factory setting: Monitoring of liquids. For monitoring of gases: Link terminals 23 / 24. ***) in case of sufficient free space for convection cooling Recommendation: check the unit for reliable function after a short circuit.

Wiring

Core colours
 BN brown
 BU blue
 BK black
 WH white
 GY grey



- 1 = Flow monitoring
 - 2 = Wire break monitoring
 - 3 = Temperature monitoring
 - 4 = Power-on delay time
 - 5 = Selection liquid / gas
- Note: miniature fuse to IEC60127-2 sheet 1,
 ≤ 5 A (fast acting)