

Evaluation systems

**SN0150**

VS3000  
Control monitor for flow sensors  
Mounting on DIN rail

Electrical connection by means of  
Combicon connectors with screw  
terminals (fitted)  
Connection: 1 sensor



Made in Germany

<b>Application</b>
<b>Electrical design</b>
<b>Output</b>
Nominal voltage [V]
Voltage tolerance [%]
Contact rating
Short-circuit proof
Reverse polarity protection
Overload protection
Power consumption [VA]
<b>Switching function</b>
Flow monitoring
Function display
Adjustment of the switch point
Selection liquids / gases
<b>Switching function</b>
Temperature monitoring
Output status indication LED
Switch point setting
Temperature range
Repeatability switch point / measured value [K]
<b>Switching function</b>
Wire break monitoring
Output status indication LED
Response time [s]

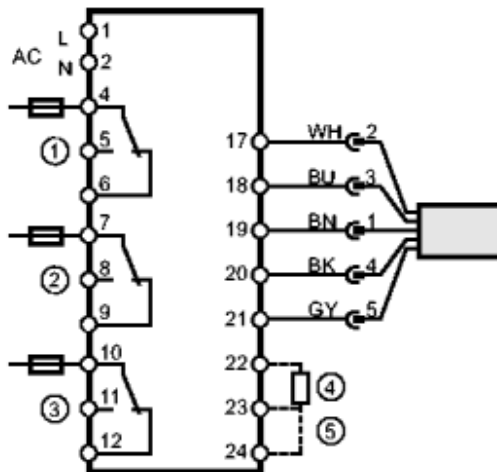
<b>flow, temperature and wire break monitoring</b>
<b>AC</b>
<b>relay</b>
90...240 AC (47...63 Hz)
-5 /+10
4 A (250 V AC / 30 V DC)
no
no
no
4
relay energised when flow is present and during the power-on delay time
11 LED
with pot.
link terminals 23-24 **)
relay energised when temperature is exceeded
red
with pot.
0...80
± 4
relay de-energised in case of wire break or short circuit
red
max. 3

**SN0150**

Power-on delay time [s]	10...80 *)
Undervoltage monitoring	In case of undervoltage all relays are de-energised, the LED "LOW VOLTAGE/WIRE BREAK-RELAY" lights
Ambient temperature [°C]	-20...60 ***)
Protection	IP 20, II
MTTF [Years]	168
Housing materials	PBT
Connection	Combicon connector
Weight [kg]	0.251
Remarks	*) adjustable (fixed-value resistors terminals 22-23) **) Factory setting: Monitoring of liquids. For monitoring of gases: Link terminals 23 / 24. ***) in case of sufficient free space for convection cooling Recommendation: check the unit for reliable function after a short circuit.

**Wiring**

Core colours  
 BN brown  
 BU blue  
 BK black  
 WH white  
 GY grey



- 1 = Flow monitoring
  - 2 = Wire break monitoring
  - 3 = Temperature monitoring
  - 4 = Power-on delay time
  - 5 = Selection liquid / gas
- Note: miniature fuse to IEC60127-2 sheet 1,  
 ≤ 5 A (fast acting)