

FEATURES

- Accurate at low flows
- Simple and durable
- Rugged body
- High tolerance for problem fluids

APPLICATIONS

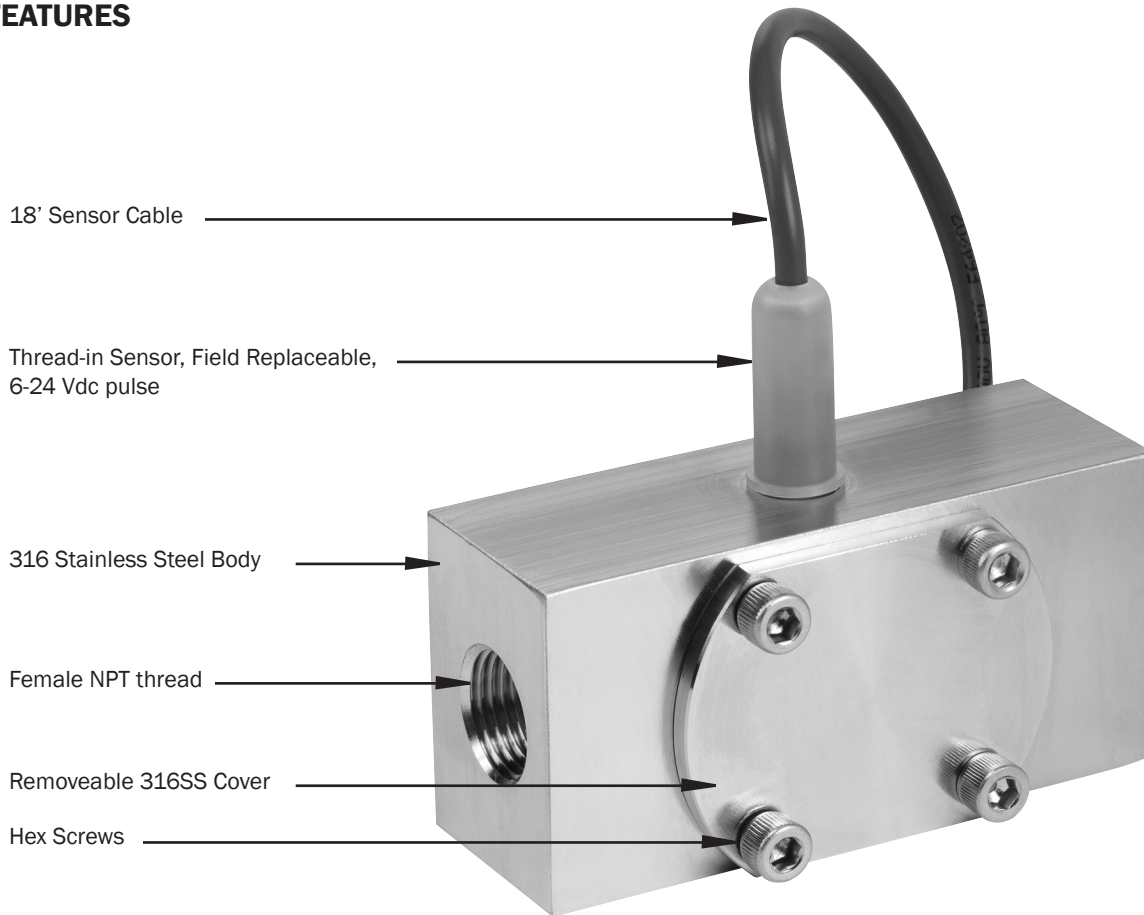
- Low flow monitoring
- Chemical batching
- Proportional chemical injection
- Fertilizer injection

GENERAL INFORMATION

The SES single-jet meter provides accurate, wide range flow metering in an extremely rugged stainless steel package. Single-jet simplicity combined with high quality jewel bearings results in long life and relatively high tolerance for problem fluids. Typical applications are chemical batching, proportional chemical injection, fertilizer injection, proportioning of spray chemicals, and general flow rate monitoring.

The sensor is easily replaced from outside the meter, and is compatible with most of the Seametrics indicators and transmitters, as well as most controls and PLC's that accept DC inputs. The standard rotor is PVDF (Kynar) and the shaft is a special nickel-bonded tungsten carbide. The optional ceramic shaft increases resistance to some concentrated chemicals. The standard O-ring is Teflon-coated Viton.

FEATURES



18' Sensor Cable

Thread-in Sensor, Field Replaceable,
6-24 Vdc pulse

316 Stainless Steel Body

Female NPT thread

Removeable 316SS Cover

Hex Screws

(Internal)
Jewel Bearings
Kynar/Carbide Rotor Assembly
Teflon-coated Viton O-Ring



FIELD REPLACEMENT
OF SENSOR

SPECIFICATIONS*

| | |
|----------------------------|-----------------------------------------------|
| Connection Ports | 1/2", 3/4", and 1" female NPT thread |
| Sensor Cable | 18 feet standard (Maximum cable run 2000 ft.) |
| Materials | |
| Body | 316 stainless steel |
| Rotor | PVDF (Kynar) |
| Shaft | Nickel-bonded tungsten carbide |
| Bearings | Ruby ring and ball |
| O-Ring | Teflon-coated Viton |
| Cover | 316 stainless steel |
| Maximum Temperature | 200° F (93° C) |
| Maximum Pressure | 500 psi (35 bar) |
| Accuracy | +/- 1% of full scale |
| Power | 5-24 Vdc, 2 mA min |
| Outputs | Current sinking pulse, 6 - 24 Vdc |

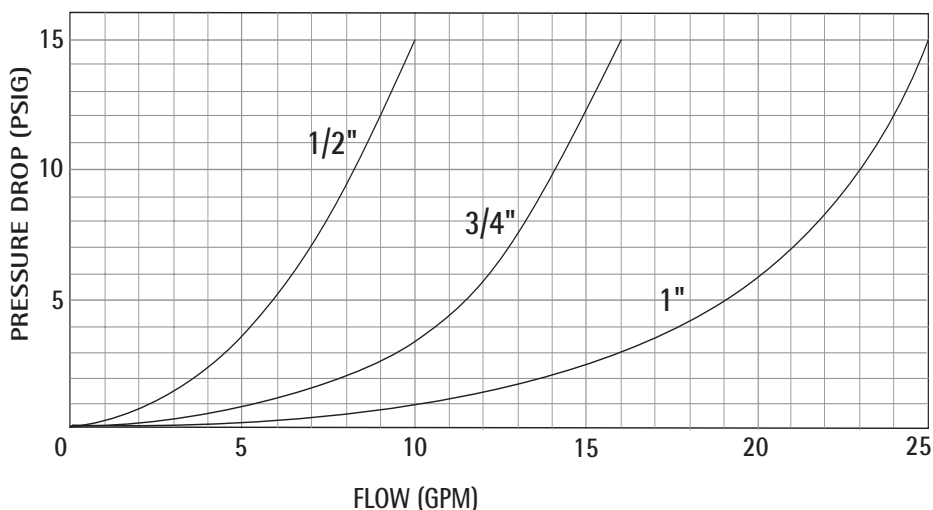
*Specifications subject to change • Please consult our website for current data (www.seametrics.com).

FLOW RANGE

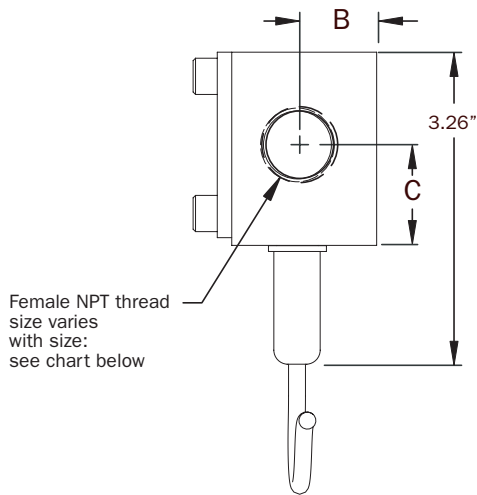
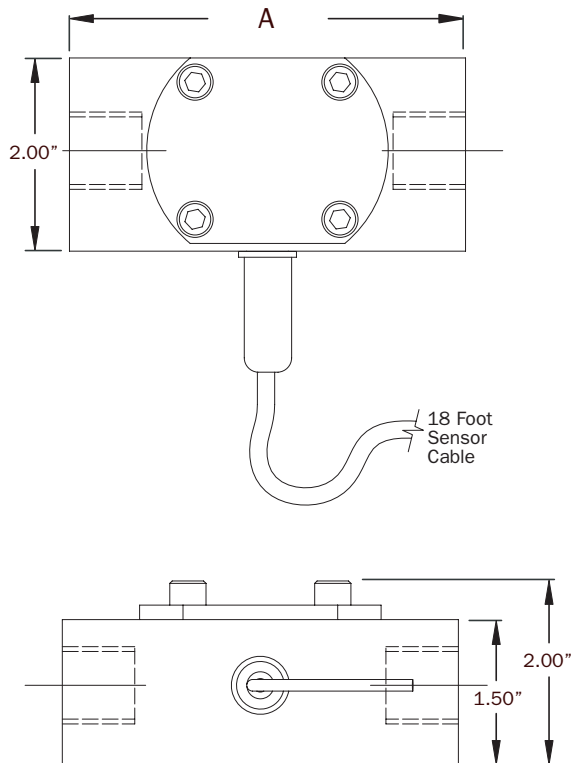
| Model # | *K-Factor (pulses/Gal) | Gal/Min | Liter/Min |
|---------|------------------------|----------|-----------|
| -050 | 535 | 0.1 - 10 | 0.38 - 38 |
| -075 | 390 | 0.2 - 15 | 0.75 - 57 |
| -100 | 220 | 0.5 - 25 | 1.9 - 95 |

*Nominal K-factors (based on averages) for standard 2-magnet model.
High resolution (6-magnet) K-factors are approximately tripled.

PRESSURE DROP CURVES



DIMENSIONS



| Size | NPT Thread Size | A | B | C |
|-----------------|-----------------|------|-----|------|
| 1/2 inch | 1/2 inch | 4.10 | .82 | 1.04 |
| 3/4 inch | 3/4 inch | 4.10 | .82 | 1.04 |
| 1 inch | 1 inch | 5.00 | .75 | 1.00 |

HOW TO ORDER

| MODEL | SIZE | OPTIONS |
|-------|-----------------------------------------------------------------------------------------------------|---------------------------------------------------------------------------------------------------------------------------------------------------------------------------------------------------------------------------------------------------------------------------------------------------------------------------------------------------------------------------------------------------------------------------------------------------------------------------------|
| SES | 1/2" (0.1-10 GPM) = -050 3/4" (0.2-15 GPM) = -075 1" (0.5-25 GPM) = -100 | Ceramic shaft = -01 Micropower pickup (Use w/FT415 or DL76 only) = -04 Standard Power, LMI 4-pin Connector = -06 Standard Power, Seametrics Control Connector = -07 High resolution rotor = -13 Viton O-ring (SPX, SPT) = -60 Silicon carbide shaft = -68 EPDM O-ring = -69 SAE Threads = -70 Roytronics® Series A Pump 5-pin Connector = -106 BSP Threads = -116 |

ACCESSORIES

| | |
|----------------------------------------------------------|----------------------------------------------------------------------|
| Rate and Total Indicator, DC powered = FT420 | Batch Flow Processor = FT520 |
| Rate and Total Indicator, Battery powered = FT415 | Data Logger = DL76 |
| Blind Analog Transmitter (4 to 20 mA) = AO55 | Plug-in Power Converter, 100-115 Vac, 24 Vdc = PC3 |
| | DIN or Wall Mount Power Converter, 100-115 Vac, 24 Vdc = PC12 |

SUPPLIER CONTACT INFORMATION