

AIR VELOCITY TRANSMITTER – AVT



Model summary

Product type (-D for display) (-R for relay)	Product code	Measurement range (velocity)	Accuracy of velocity	Measurement range (temperature)	Accuracy of temperature
AVT	117.004.001	0...2, 0...10, 0...20 m/s	<0,1m/s +5% from reading	0...50°C	<0,5°C (v > 0,5m/s)
AVT-D	117.004.002	0...2, 0...10, 0...20 m/s	<0,5m/s +5% from reading	0...50°C	<0,5°C (v > 0,5m/s)
AVT-D-R	117.004.003	0...2, 0...10, 0...20 m/s	<1,0m/s +5% from reading	0...50°C	<0,5°C (v > 0,5m/s)
AVT-R	117.004.004	0...2, 0...10, 0...20 m/s	<1,0m/s +5% from reading	0...50°C	<0,5°C (v > 0,5m/s)

The air velocity transmitter is delivered individually packed with standard accessories (see accessories).

AVT-D-R: relay model is always equipped with display. The switching point and the hysteresis of relay can be configured by jumper, pushbutton and display user interface. See the installation chapter for more details.

Technical data

Suitable media	Air	
Measurement element	Pt1000 and ntc10k	
Electrical interface	Supply voltage	24VDC/24VAC \pm 10%
	Current consumption	35mA (50mA with relay) + 40mA with mA-outs
	Output signal 1	0...10V (linear to °C), L min 1k Ω or 4...20mA (linear to °C), L max 400 Ω
	Output signal 2	0...10V (linear to m/s), L min 1k Ω or 4...20mA (linear to m/s), L max 400 Ω
	Optional relay output	Potential free SPDT 250VAC, 6A / 30VDC, 6A with adjustable switching point and hysteresis
Materials	Housing	ABS
	Cover	PC
	Probe pipe	Stainless steel
Connections	Electrical connections	4 + 3 screw terminals, max 1.5 mm ²
	Cable entry	M16 for power supply M16 for relay output
Weight	220 grams	
Dimensions (housing)	90,0 x 71,5 x 36,0 mm	
Dimensions (probe)	Outer diameter 10mm, length 210mm from bottom of the cover Adjustable Immersion length 50..180mm, with flange	
General ambient condition	Temperature range:	
	Operation	0...+50°
	Storage	-20...+70°C
Safety	Protection standard	IP54
	Conformance	Meets the requirements for CE marking: EMC Directive: 2004/108/EC RoHS Directive: 2002/95/EC LVD Directive: 2006/95/EC WEEE Directive: 2002/96/EC

Accessories

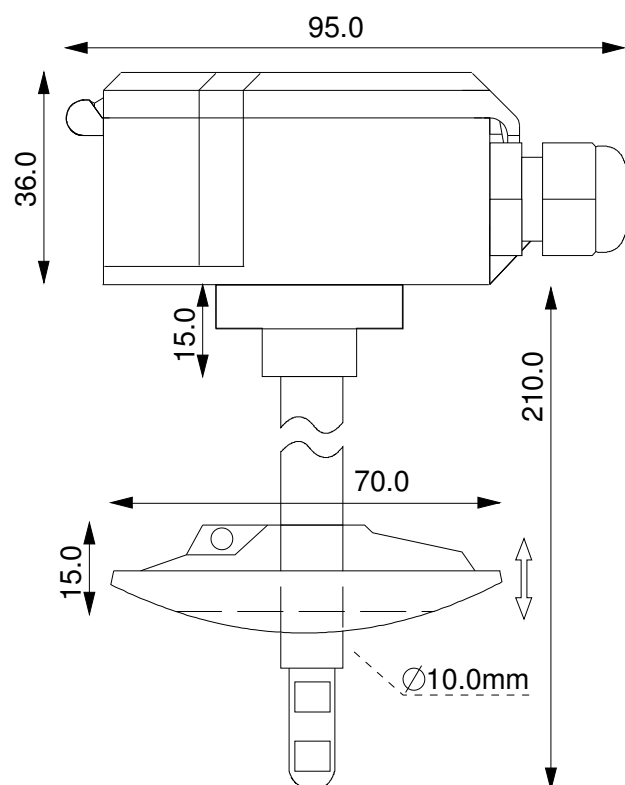
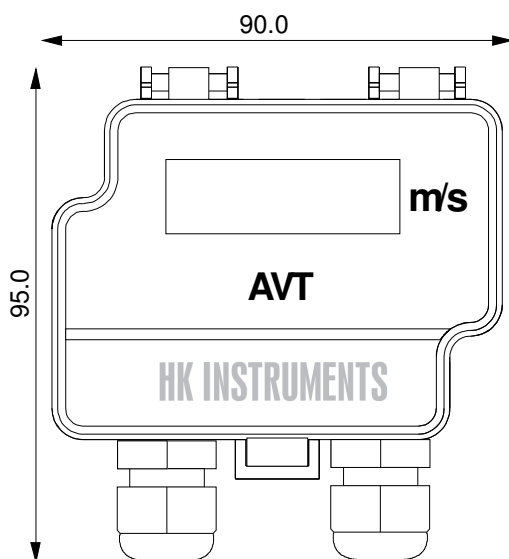
Standard accessories:

- Duct installation flange

Optional accessories:

- 1 fixing screw for relay model

Dimensions



Installation

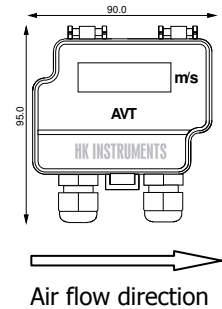
Installation direction: cable entry cross direction to the duct 90 or 180 degrees

Note when using high voltage for relay (115VAC...230VAC)!

The supply cable and control cable for relay should be separated, if high voltage (115...230VAC) is used as relay contact. Both of the cable has its own cable entry.

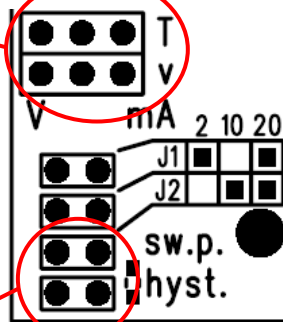
The relay settings need to be done before high voltage (115...230VAC) is connected to the device. This ensures human safety against electrical shock.

The device is equipped with a lid fixing crew. The screw need to be used when high voltage is connected to the device.



Jumpers for output mode (mA/V)

Both outputs can be set independently



Jumper + Push button for relay switching point/hysteresis adjustment (with display)

Set the jumper switching point (sw.p.) and push the button to adjust the switching point of the relay. The value chosen (m/s) is shown on the display.

Set the jumper hysteresis (hyst.) and push the button to adjust the hysteresis of the relay switching point. The value chosen (m/s) is shown on the display.

Electrical Connection:

Tout	Output 0...10 V / 4...20 mA
vout	Output 0...10 V / 4...20 mA
24V	Supply voltage 24VDC/VAC
GND	Ground

NC	Normal Closed
COM	Common
NO	Normal open

