

DN2100 AERO Type



Micro Differential Pressure Gauges

General Information

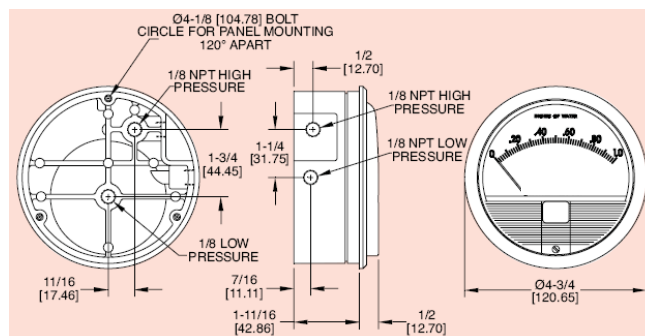
DN2100 type differential pressure gauges make use of simplicity; have no friction of the magnetic element of spiral movement, with rubber film slice as the sensitive component in measuring flexibility pressure. It can make use of index sign to indicate the measuring of gaseous pressure quickly, no matter of positive, negative or differential pressure. This design has quakeproof, shaking and over pressure function. Nevertheless, there is no need to have liquid filling inside, therefore, no gaseous, freezing, and strange smell will appears in this matter.

DN2100 type differential pressure gauges is extensively been applied in pressure of measuring the fan and drum breeze machine, screening out the program resistance, wind velocity, the stove pressure, hole plank differential gauge, also be used for burnable the air coal gas specific value within process control and automatic valve control, and the medical treatment care for the blood pressure equipment and to monitor the breathe pressure.



Specification

Housing Material : Die cast AL
 Nominal size : 4" (120.65mm)
 Process connection : Hi/Lo - 1/8" NPT(F)



Accuracy : +/- 2% FS
 Surrounding Temp. : -10 ~ 60°C
 Accessory : 1/8" tubing adapter x 2

PRESSURE RANGE									
Model No.	In WC	Model No.	KPa	Model No.	cmWC	Model No.	mmWC	Model No.	Pa
2000-00+	0-0.25	2000-1k	0-1	2000-15cm	0-15cm	2000-6mm	0-6mm	2000-60p	0-60pa
2000-0+	0-0.5	2000-1.5k	0-1.5	2000-20cm	0-20cm	2000-10mm	0-10mm	2000-100p	0-100pa
2001	0-1.0	2000-2k	0-2	2000-25cm	0-25cm	2000-25mm	0-25mm	2000-125p	0-125pa
2002	0-2.0	2000-3k	0-3	2000-50cm	0-50cm	2000-50mm	0-50mm	2000-250p	0-250pa
2003	0-3.0	2000-4k	0-4	2000-80cm	0-80cm	2000-80mm	0-80mm	2000-500p	0-500pa
2004	0-4.0	2000-5k	0-5	2000-100cm	0-100cm	2000-100mm	0-100mm	2000-750p	0-750pa
2005	0-5.0	2000-8k	0-8	2000-150cm	0-150cm	2000-150mm	0-150mm	2000-1000p	0-1000pa
2006	0-6.0	2000-10k	0-10	2000-200cm	0-200cm	2000-200mm	0-200mm	2000-1500p	0-1500pa
2008	0-8.0	2000-15k	0-15	2000-250cm	0-250cm			2000-2000p	0-2000pa
2010	0-10	2000-20k	0-20	2000-300cm	0-300cm				
2015	0-15	2000-25k	0-25						
2020	0-20	2000-30k	0-30						
2025	0-25								
2030	0-30								
2040	0-40								
2050	0-50								
2060	0-60								
2080	0-80								
2100	0-100								
2150	0-150								