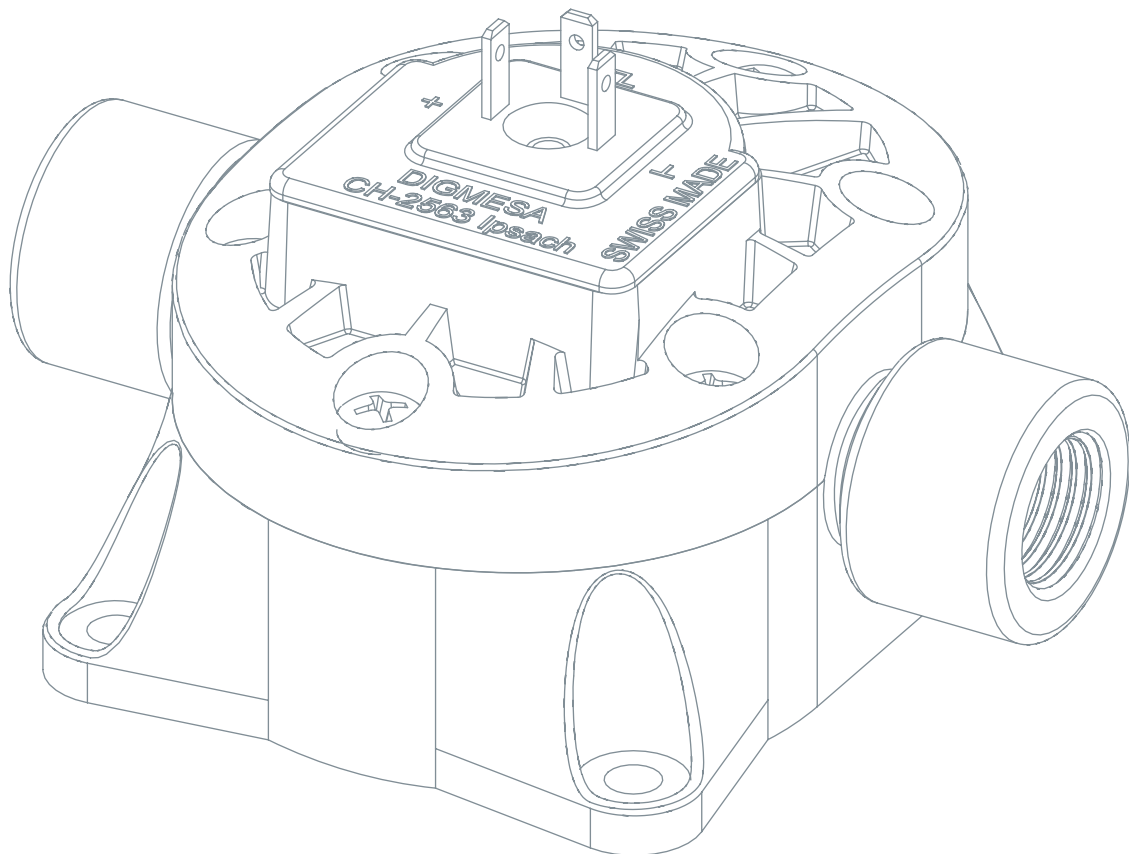


FLOW SENSOR EPI
THE VISCOSITY SPECIALIST
MADE BY DIGMESA



FLOW SENSOR EPI TECHNICAL INFORMATION

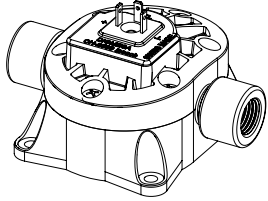
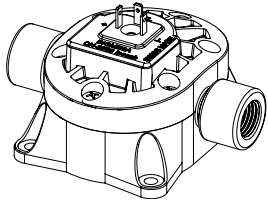
Flow Rate l/min		
Nozzle	Min	Max
7.0	0.065	6.0

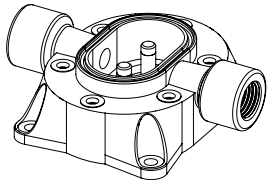
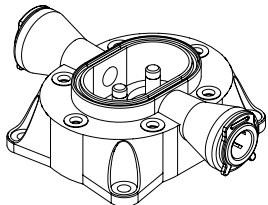
Output Signal
Pulse

Material
PBT (Arnite), PEEK

Application examples
Viscous liquids


This volumetric measuring device is suitable for measuring the flow rate in media with high viscosity, such as syrup, soap, lye, oil, ketchup and honey. The Classicline EPI is also available in PEEK, which features high chemical resistance; possible uses include sterilisation of surgical instruments in hospitals.

		EPI STD	EPI Chemistry
Housing Material			
PBT (Arnite)		STD	-
PEEK		-	STD

Process Connection			
G 1/4" female		STD	STD
John Guest 3/8"		•	-

	EPI STD	EPI Chemistry
EI. Connection		
3 pin amp	STD	STD
3 pin amp bipolar	•	•
3 pin amp bipolar PNP	•	•
3 pin amp LED	•	•
4 pin amp 2 Hall	•	•

O-Ring			
Viton		STD	STD
EPDM		•	•

Bearing Pin			
Inox		STD	STD
Ceramic		•	•