

ZE3000 Flow Data Sensor

CHEMLINE
Plastics Limited

For FC and FS Flow Meters

The ZE3000 flow transmitter provides a 4-20 mA output signal, generated by precise angle detection of the magnetic float.

This micro-processor controlled unit is factory calibrated. This guarantees accurate flow measurement and evaluation.

IMPORTANT: The flow meter to which the ZE3000 is to be fitted must be known in advance.

Features

- 2 Wire technology
- 4-20 mA analog output (4-20.1 for 8 VDC supply; 4-22.0 for 28 VDC supply)
- 8-28 VDC input
- Factory calibrated (flow meter to be specified when ordering)
- 11 point calibration
- Non-volatile value storage
- 0 Button to compensate for the surrounding magnetic influences
- Factory setting of the lower limit value (low-cut-off) 0-99% according to customer's specifications
- Factory time lag (low-pass filter) 0.1-2.5 sec. according to customer's specifications
- Measuring accuracy < 0.5%
- Temperature range: -30°C(-20°F) to 65°C(150°F)

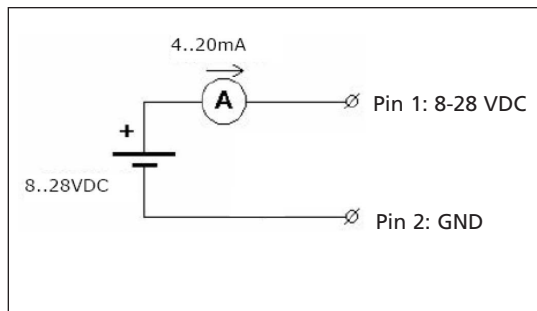
INSTALLATION:

Screw clamps are used to fit the ZE3000 on the dovetail guide of the flow meter.

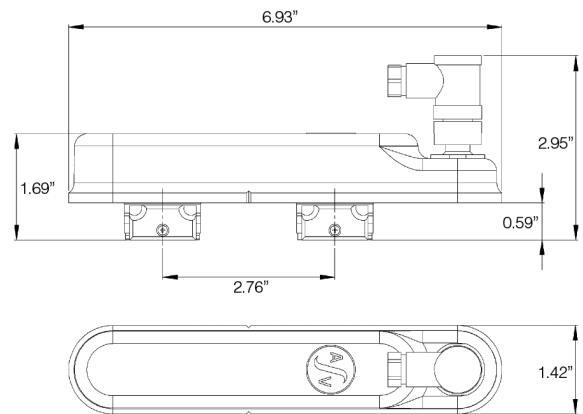
During installation, ensure that the notch of the ZE3000 coincides with the 50% mark on the flow meter scale.

Following this, proceed with the wiring according to the diagram.

WIRING:

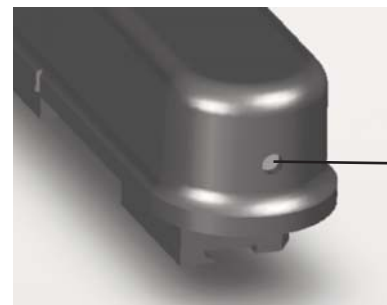


DIMENSIONS:



START-UP:

After installation and wiring, press the 0 button for at least 2 sec. to compensate for surrounding magnetic influences. During this phase ensure that the float is in its bottom position, i.e. no flow must take place.



Concealed
0 button

Note:

Do not press the button during normal operation.