



ALIAMAG

Converter For Electromagnetic Flowmeter

Model AMC2100 Series

GENERAL

ALIAMAG The Aliamag AMC2100 series converter is a microprocessor based intelligent transmitter that can be paired with any of the Alia AMF series sensors. The unit features multiple display parameters including flow rate, flow total, diagnostics, programming and troubleshooting.

FEATURES

- ❑ Three line LCD display Flow Rate / Totalizer
- ❑ Accuracy of +/-0.4% value of reading
- ❑ Bi-directional flow measurement, current and pulse output
- ❑ Large digital display
- ❑ Records up to 99 power on/off time
- ❑ MODBUS/HART communication



STANDARD SPECIFICATION

- Excitation : DC pulsed
- Display : 3 lines LCD with illumination
 - Line 1 : 11 digit totalizer for forward flow
11 digit totalizer for reverse flow
11 digit totalizer for difference
 - Line 2 : 5 digit flowrate / velocity / % / mA / HZ
 - Line 3 : Parameter / Query / Clr tot / Query LOG
Alarm, Guidance
- Unit : M3/H, L/H, Kg/H, T/H, L/min, M3/min, GPH
GPM, ML/H, ML/m, ML/sec
- Measuring Range : Min. 0 to 0.15 m/s
: Max. 0 to 15 m/s
- Accuracy : +/-0.4% of reading (Velocity ≥ 0.5 m/s)
: +/-0.002 m/s (Velocity < 0.5 m/s)
- Repeatability : +/-0.1% of reading
- Current Output : 4-20 mA (Isolated)
 - Load : Max. 600 Ω
- Pulse Output : Open collector
 - Rating : 3 to 30 VDC, 20 mA Max.
- Pulse Rate : 1)Scale pulse (Pulse/M3, Pulse/L, Other)
: 2)Frequency: 0-5000 Hz
- Pulse Width : 50% of band width
- Alarm : High/Low with open collector output
 - Rating : 3 to 30 VDC, 20 mA Max.
- Communication : RS 485 (MODBUS Protocol)
: HART signal (Compatible)
- Data Storage : Operation parameters and totalizer
figures are stored by EEPROM for more than 10 years
- Keyboard : 3 external keys for programming and display control
- Low Flow Cutoff : 0 to 9.9 %
- Data Logger Function : 99 times flowrate records for power on/off
- Record Data : Date/Time when Power on/off
: Flow rate when Power on/off
: Totalizer when Power on/off
- Damping : 0 to 99 Seconds
- Density Setting : 0.1 to 9.99 g/cm3
- Self Diagnosis : The following error message are displayed if failure occurs
 - Coil failure
 - Power failure
 - Overranged output
 - Internal error
 - Overflow
 - Empty pipe
- Cable Entry : Standard :PG11 Option:1/2"NPTF
- Protection Class : IP 65
- Ambient Temperature : -25 to +65 °C
- Material : Aluminum Alloy
- Power Supply : 90-260 VAC, 50/60 Hz
: 24VDC +/-10% (Option)
- Power Consumption : 3-17 W (Dependent on sensor size)
- Weight : 1.4 Kg
- Mounting : Wall mounting
: Bracket on 2" pipe

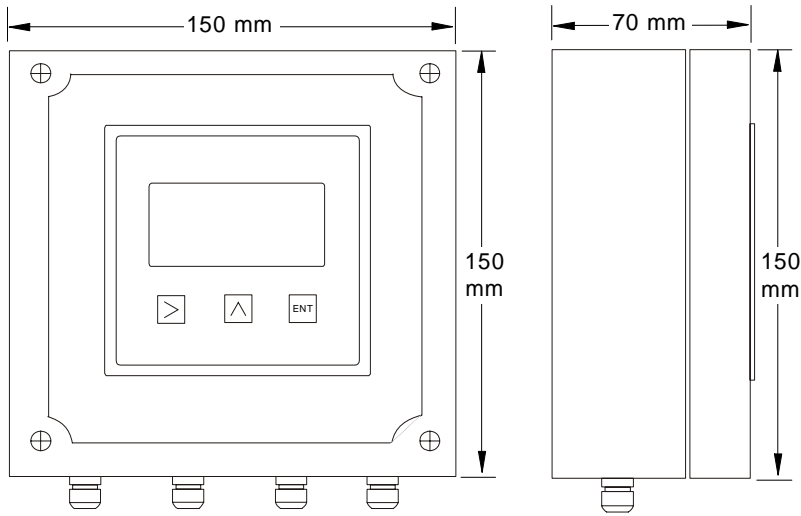
ALIA GROUP INC.

113 Barksdale Professional Center, Newark, DE 19711, USA
TEL : + 1 - 302 - 213 - 0106 FAX : + 1 - 302 - 213 - 0107

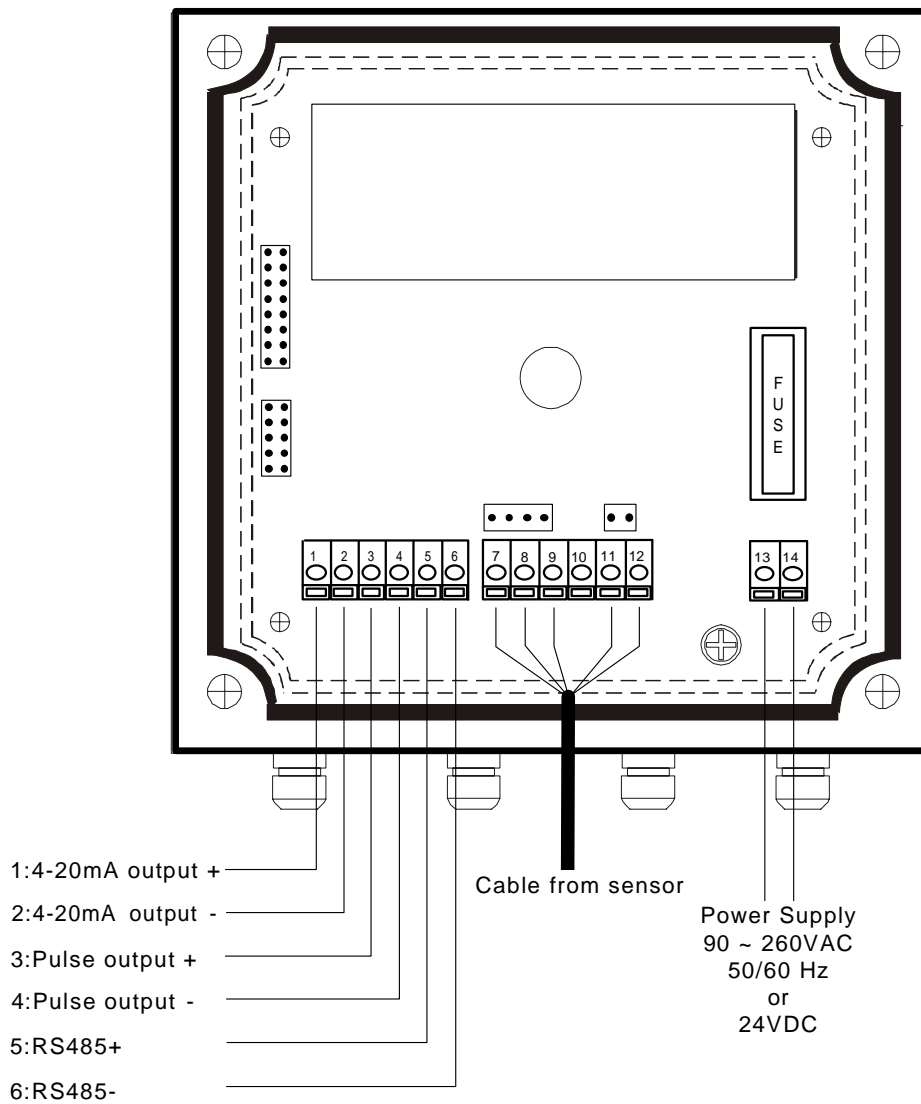
URL : www.alia-inc.com
E-mail : alia@alia-inc.com
AMC2100V1.1.8.r4.A4.en



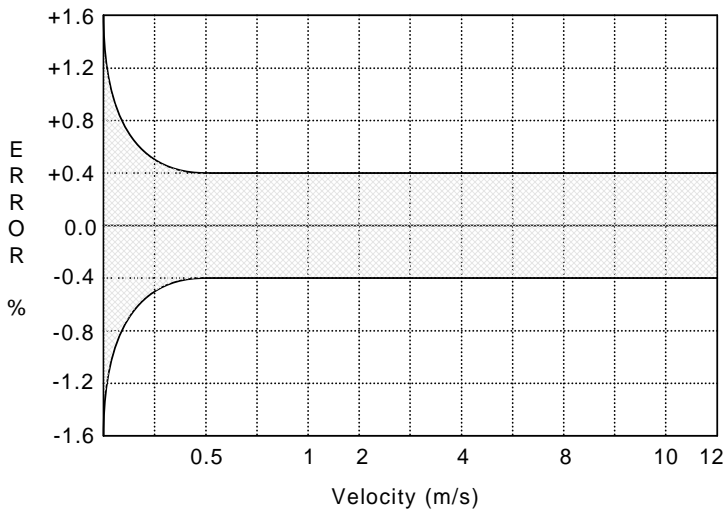
➤ DIMENSIONS



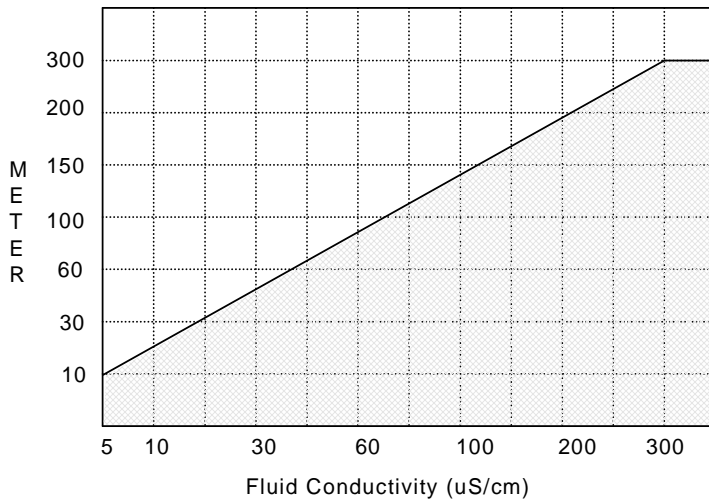
➤ WIRING DIAGRAM



➤ ACCURACY



➤ CABLE LENGTH BETWEEN SENSOR & CONVERTER



➤ MODEL SELECTION GUIDE

AMC2100 Series					
Example: AMC2100-AC-CP-HT-NN					
AMC2100-	XX-	XX-	XX-	XX	Description
Power supply	AC-				90-260 Vac, 50/60 Hz
	DC-				24Vdc, +/-10%
Mounting	CP-				Compact with Sensor
	SW-				Separate, Wall Mounting
	S2-				Separate, 2" Mounting Bracket
Communication	NN				RS 485 (MODBUS Protocol)
	HT				HART Signal (Compatible)
Option	NN				None
	PT				Cable Entry 1/2" NPTF

➤ BUILD OPTIONS-(COMPACT OR REMOTE)

