



HART-enabled digital position transmitter for precise position measurements and feedback with optimized auto-calibration program

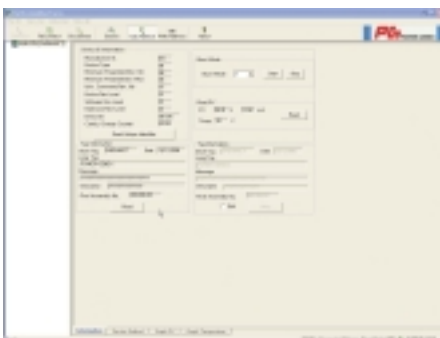
Features

- ▶ Precise linearity with 0.2% F.S.
- ▶ Position calibration via local adjustment or remote calibration via hand-held terminal
- ▶ LCD indicator inside
- ▶ Diagnostics and configuration via HART communication
- ▶ Optional HART communication
- ▶ Optional 2 x alarm limit
- ▶ Applicable for machines, ship-building and power plant turbines

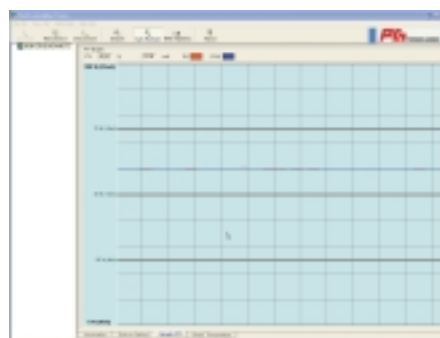
Specifications

Model	SSPT
Travel	Linear motion : 10 - 100m Rotary motion : 15° - 120° rotation angle
Current Output Signal	2-wire, 4 - 20 mA with superimposed digital communication (optional HART protocol)
Reverse polarity protection	12 - 45VDC
Indicator	4 - digit LCD indicator
Protection Class	Weatherproof (IP65), intrinsically safe
Zero and Span Adjustments	Local adjustment or digital communication
Temperature Limits	Ambient : -20℃ - +85℃ Digital display : -10℃ - +80℃
Update Time	Approx. 2ms
Humidity Limits	0 - 100% RH
Output Action	Direct or reverse
Linearity	Within $\pm 0.2\%$
Hysteresis	Within 0.2%
Sensitivity	Within $\pm 0.2\%$
Repeatability	Within 0.5%
Resolution	Within 0.1%
Electrical Connections	M20
Weight	2.5 kg

Power-Genex HART Master Software



< Device Information >



< Feedback Graph >

How to Order

Board View

SSPT

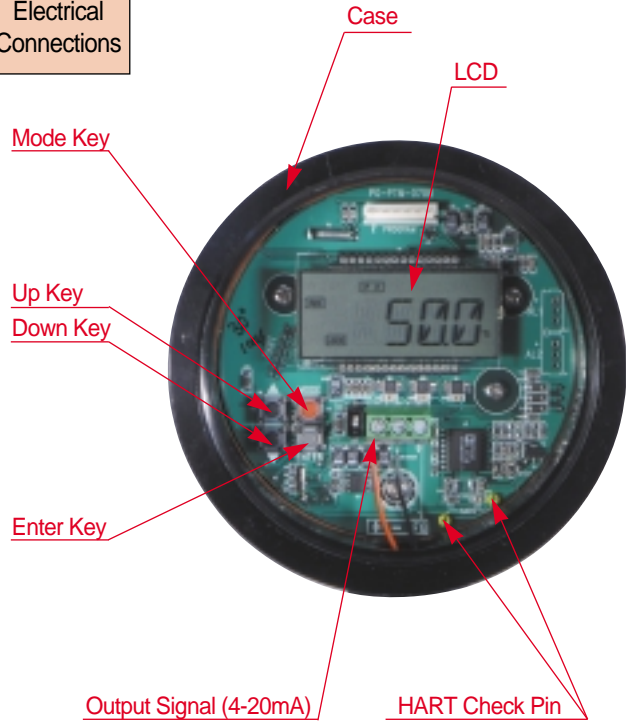
Protection Class

HART Communication

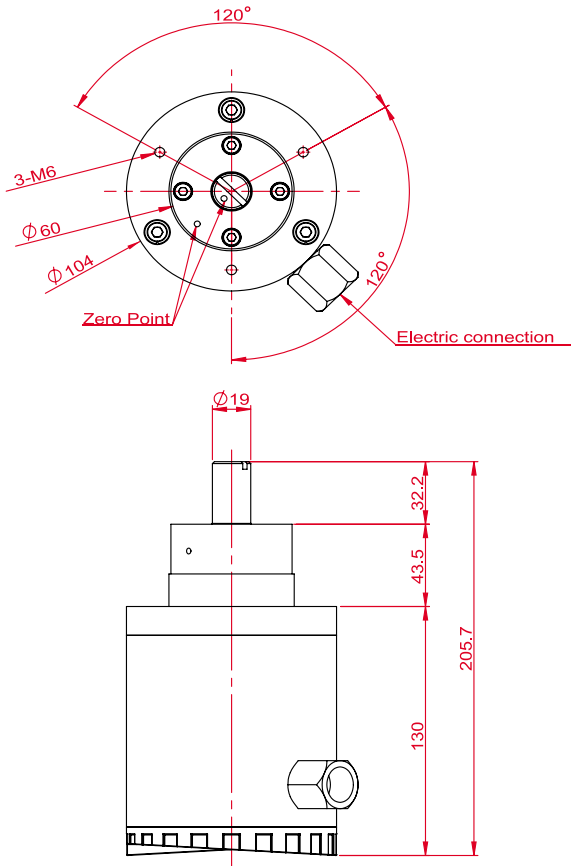
Alarm Limits

Electrical Connections

Description	Code
Protection Class :	I : Intrinsic safety (Ex ia IIC T6) W : Weatherproof to IP65
HART Communication :	H : HART communication N : None
Alarm Limits :	L : 2 x alarm limit N : None
Electrical Connections :	1 : M20 x 1.5



Dimensions



Digital Position Transmitter (SSPT)

