



Hygienic Ball Valve, Three Piece Design, Tube Bore, Tri-Clamp

Fig No:DA955TC / SR955TC

1/4" ~ 2" (DN 8~ DN 50)

DA:Double Acting SR:Spring Return



Valve Specification :

Design specification according to ASME/BPE-2002

The ID for the Valve flow Path (Pall Seats end) Shall be the Same ID as the tubing as per ASME / BPE 2002

Material : Stainless Steel

Sanitary Clamp End Connections available on us dimensioned Valves.

Seat and Seals all materials are FDA compliant

Actuator mounting in accordance with ISO 5211 direct mounting

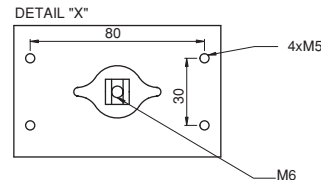
In-Line Maintenance

Interior, surfaces are 20 Ra (0.50µm)

End connection : Tri-Clamp End

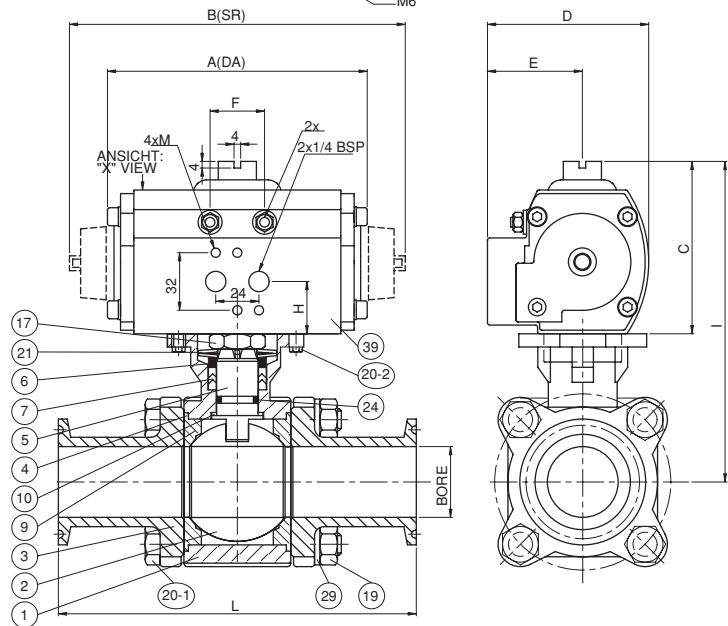
Temperature Range : -4 to 356°F (-20 to 180°C)

Options : Cavity filled seat



MATERIALS LIST

NO.	PART NAME	MATERIAL	QTY
1	BODY	ASTM A351 GR.CF8M	1
2	BALL	ASTM A351 GR.CF8M	1
3	END CAP	ASTM A351 GR.CF8M	2
4	BODY SEAL	PTFE.	2
5	STEM	SS316	1
6	FOLLOWER	SS304	1
7	STEM PACKING	PTFE.	1 SET
9	SEAT	PTFE.	2
10	THRUST WASHWE	PTFE.	1
17	STEM NUT	SS304	1
19	BOLT NUT	SS304	4~12
20-1	END CAP BOLT	SS304	4~12
20-2	BOLT	SS304	4
21	BELLEVILLE WASHER	SS301	1 SET
24	O-RING	VITON	1
29	BOLT WASHER	SS304	4~12
39	PNEUMATIC ACTUATOR	ALUMINUM	1



DIMENSIONS

Unit:mm

SIZE	1/2"		3/4"		1"		1-1/2"		2"		2-1/2"		3"		4"	
Air Supply	80 PSI		80 PSI		80 PSI		80 PSI		80 PSI		80 PSI		80 PSI		80 PSI	
ACTUATOR	DA	SR	DA	SR	DA	SR	DA	SR	DA	SR	DA	SR	DA	SR	DA	SR
	C-125	C-250 SR3	C-125	C-250 SR4	C-250	C-450 SR3	C-450	C-1000 SR2	C-450	C-1000 SR3	C-1000	C-2250 SR3	C-1000	C-3650 SR4	C-2250	C-3650 SR3
BORE	9.5		15.9		22.2		35.0		47.6		60.3		73.0		97.4	
A	120.0	**	120.0	**	144.3	**	149.2	**	149.2	**	183.0	**	183.0	**	259.6	**
B	**	194.6	**	194.6	**	205.6	**	250.0	**	250.0	**	355.0	**	355.0	**	422.0
C	84.0	99.0	84.0	99.0	99.0	118.0	118.0	141.0	118.0	141.0	141.0	161.0	141.0	161.0	161.0	196.0
D	62.2	81.4	62.2	81.4	81.4	95.0	95.0	119.0	95.0	119.0	119.0	140.5	119.0	140.5	140.5	185.2
E	33.7	47.8	33.7	47.8	47.8	51.5	51.5	64.5	51.5	64.5	64.5	75.5	64.5	75.5	75.5	105.5
F	24.0	32.5	24.0	32.5	32.5	32.5	32.5	46.2	32.5	46.2	46.2	54.0	46.2	54.0	54.0	79.7
G	MxP0.8	M5xP0.8	MxP0.8	M5xP0.8	M5xP0.8	M6xP1.0	M6xP1.0	M8xP1.25	M6xP1.0	M8xP1.25	M8xP1.25	M10xP1.5	M8xP1.25	M10xP1.5	M10xP1.5	M12xP1.75
H	23.5	29.7	23.5	29.7	29.7	30.2	30.2	33.5	30.2	33.5	33.5	39.0	33.5	39.0	39.0	97.4
I	121.0	138.0	129.0	144.0	152.0	171.0	187.0	210.0	196.0	219.0	238.0	258.0	247.5	267.5	295.6	325.6
L	110.0		119.0		124.2		143.2		162.0		197.0		229.0		243.0	