



Pneumatic Automation Ball Valves

Split Body Design, Full Bore, ANSI Class 150 Flanged

Fig No: DA55 / SR 55

1/2" ~ 4" (DN 15 ~ DN 100)

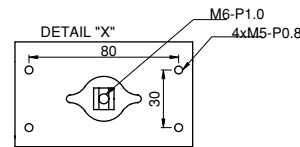
DA: Double Acting SR: Spring Return



Valve Specification :

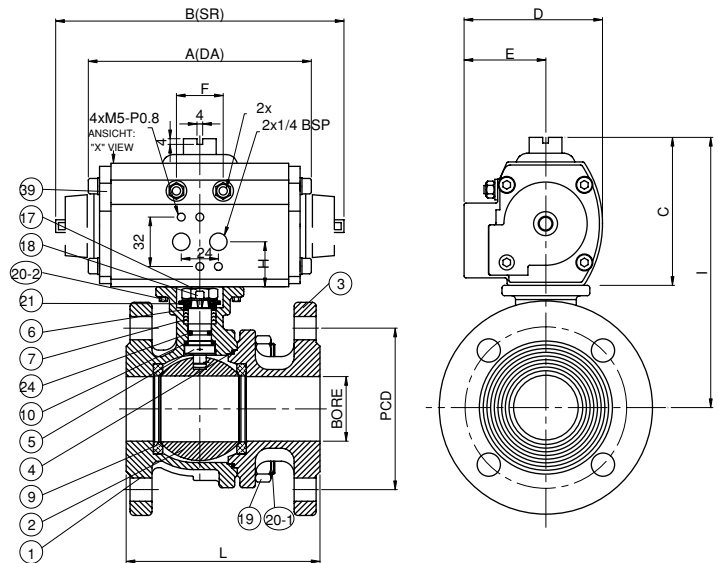
Design Specification According to ANSI B16.34 Class 150

- Material : Stainless Steel, Carbon Steel or Special Alloy upon request
- Blow-out-proof stem design & Anti-static design
- Stem packing to comply with **TA-Luft** requirements
- Actuator mounting in accordance with ISO 5211 direct mounting design
- Face to Face According to ANSI B16.10 Class 150
- Flange dimension according to ANSI B16.5 Class 150
- Working Pressure according to ANSI B16.34 Class 150
- Temperature Range : -4 to 356 °F (-20 to 180 °C)
- Pressure Test According to API 598
- Shell test by water : Working pressure x 1.5 time
- Closure seat by Air : 80 Psi ~ 100 Psi



MATERIAL

NO.	PART NAME	MATERIAL	Q'TY
1	BODY	ASTM A351 Gr.CF8M	1
2	BALL	ASTM A351 Gr.CF8M	1
3	END CAP	ASTM A351 Gr.CF8M	1
4	BODY SEAL	PTFE.	1
5	STEM	SS316	1
7	STEM PACKING	PTFE.	1SET
9	SEAT	PTFE. , RTFE.	2
10	THRUST WASHER	PTFE.	1
17	STEM NUT	SS304	1
18	TAB WASHER	SS304	1
19	NUT	SS304	4~12
20-1	STUD	SS304	4~12
20-2	BOLT	SS304	4
21	BELLEVILLE WASHER	SS301	1 SET
23	STEM BUSH	SS304	1
24	O-RING	VITON	1
39	PNEUMATIC ACTUATOR	ALUMINIUM	1



DIMENSIONS

Unit:mm

SIZE	1/2"		3/4"		1"		1-1/4"		1-1/2"		2"		2-1/2"		3"		4"	
Air Supply	80 PSI		80 PSI		80 PSI		80 PSI		80 PSI		80 PSI		80 PSI		80 PSI		80 PSI	
ACTUATOR	DA	SR	DA	SR	DA	SR	DA	SR	DA	SR	DA	SR	DA	SR	DA	SR	DA	SR
	C-250	C-250 SR4	C-250	C-250 SR3	C-250	C-450 SR4	C-250	C-1000 SR3	C-450	C-1000 SR3	C-450	C-2250 SR2	C-1000	C-3650 SR3	C-2250	C-3650 SR4	C-2250	C-11000 SR2
BORE	15.0		20.0		25.0		32.0		38.0		50.0		65.0		80.0		100.0	
PCD	60.5		69.9		79.2		88.9		98.6		120.7		139.7		152.4		190.0	
A	144.3	**	144.3	**	144.3	**	144.3	**	149.2	**	149.2	**	183.0	**	259.6	**	259.6	**
B	**	194.6	**	205.6	**	205.6	**	250.0	**	250.0	**	355.0	**	422.0	**	422.0	**	642.0
C	99.0	99.0	99.0	118.0	99.0	118.0	99.0	141.0	118.0	141.0	118.0	161.0	141.0	196.0	161.0	196.0	161.0	263.7
D	81.4	81.4	81.4	95.0	81.4	95.0	81.4	119.0	95.0	119.0	95.0	140.5	119.0	185.2	140.5	185.2	140.5	238.2
E	47.8	47.8	47.8	51.5	47.8	51.5	47.8	64.5	51.5	64.5	51.5	75.5	64.5	105.5	75.5	105.5	75.5	125.0
F	32.5	32.5	32.5	32.5	32.5	32.5	32.5	32.5	32.5	46.2	32.5	54.0	46.2	79.7	54.0	79.7	54.0	95.3
G	M5xP0.8	M5xP0.8	M5xP0.8	M6xP1.0	M5xP0.8	M6xP1.0	M5xP0.8	M8xP1.25	M6xP1.0	M8xP1.25	M6xP1.0	M10xP1.5	M8xP1.25	M12xP1.75	M10xP1.5	M12xP1.75	M10xP1.5	M16xP2.0
H	29.7	29.7	29.7	30.2	29.7	30.2	29.7	33.5	30.2	33.5	30.2	39.0	33.5	97.4	39.0	97.4	39.0	124.7
I	153.0	153.0	155.5	174.5	161.5	280.5	174.0	216.0	205.0	228.0	212.6	255.6	253.8	308.8	290.3	325.3	305.3	408.0
L	108.0		117.4		127.0		139.7		165.1		177.8		190.5		203.2		228.6	